



HR24B

Compact Undercounter Reach-in Refrigerator



HR24B
11/12/18
Item # 13256

W x D x H
23.4" x 24.5" x 31.5"

ADA Compliant 


HR24B ★



Dimensions / Capacity

	One Section HR24B
Interior Storage Capacity (CF) (AHAM)	3.7 ft ³
Overall Width x Depth	23.4" x 24.5"
Height	31.5"
Depth with Door Open at 90°	51.5"
Adjustable Shelves	3
Shelf Dimensions (W x D)	(1) 19.13" x 17", (2) 19.13 x 12"
Crated Weight	115 lbs.
Crated Shipping Dimensions (WxDxH)	26.8" x 24" x 36.6"

Electrical / Refrigeration

	One Section HR24B
Voltage	115/60/1
HACR Breaker	15.0 Amps
Electrical Connection (NEMA)	5-15P 
Voltage Range	104-127
Ambient Temp. Range	61° to 86°F
Control Setpoint Range	34° to 52°F
Amperage	1.15
Energy Consumption (kWh/day) @ASHRAE	0.51
Heat Rejection (BTU/Hr.) @NSF	145
Approx. Nominal Compres. BTU/HR (HP)	501 (1/12HP)
Refrigerant (charge amount, oz.)	R600a (1.33 oz.)

Options

Glass Shelves

Warranty

* 3 Year - parts and Labor on entire machine.

Valid in United States, Canada, Puerto Rico and U.S. Territories. Contact factory for warranty in other countries.

Item #: _____
Project: _____
Qty: _____
AIA#: _____

Features

- ▶ **Stainless steel exterior front, sides and top**
- ▶ **UL approved for outdoor use**
- ▶ **Interior LED lighting**
- Energy efficient, one piece ABS interior liner
- Stainless steel exterior door with aluminum interior comes standard with locks
- Field reversible door
- Magnetic door gasket is easily removable for cleaning
- Environmentally friendly insulation
- Electronic controls with LED Temperature Display and Audio/Visual Alarm
- High and low temperature alarms as well as "Door Open" alarm
- Automatic time-initiated defrost
- (3) Epoxy coated shelves standard
- Built-in cabinet installation with louvered trim
- Trim pieces included (see reverse)
- 6 ft. cord and 5-15P NEMA plug
- Three year parts and labor warranty



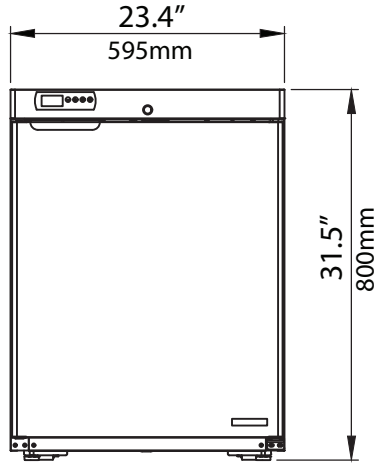
HR24B

Compact Undercounter Reach-in Refrigerator

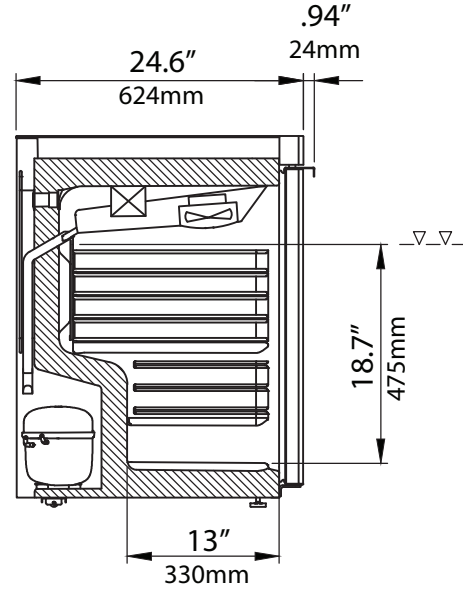


HR24B
11/12/18
Item # 13256

FRONT VIEW

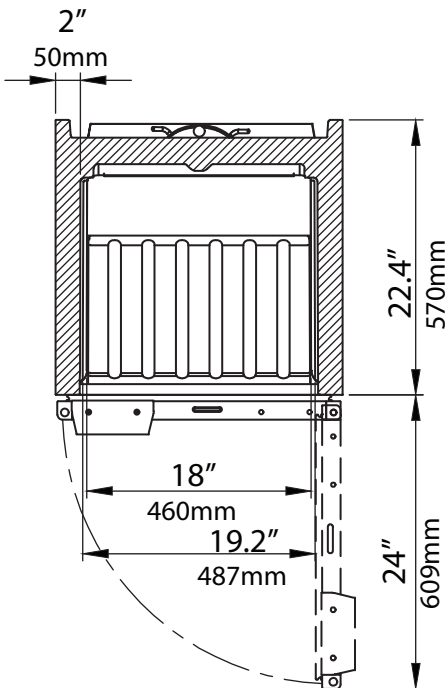


BACK VIEW



inch
[mm]

PLAN VIEW



TOP TRIM PANEL

