



DM-4420N

COUNTERTOP CUBELET ICE & WATER DISPENSER



DM-4420N
10/30/18
Item # 13424

Item #: _____
 Project: _____
 Qty: _____
 AIA#: _____

W x D x H
22" x 30¹/₂" x 40"



Features

- ▶ Heavy duty stainless steel exterior
- ▶ Accommodates Hoshizaki cubelet ice machine only or manual fill
- ▶ Auger agitator dispenses cubelet ice

- Illuminated interchangeable front graphics
- Standard fluorescent 15 watt light bulb
- Push lever for ice and water dispensing versatility
- High capacity ice storage bin
- High capacity drip tray to handle customer ice and water over fill helps avoid safety hazards and station clean-up from spills
- Unique Hex Drive ice agitation and dispense drive system for trouble-free operation and long service life
- Fully insulated storage bin and drip tray help avoid moisture and condensation related safety hazards
- 8 ft. cord with a NEMA 5-15 plug
- Standard with 4" legs

Warranty: Three Year Parts and Labor

| Model | Exterior Dimensions W x D x H | Ice Capacity | Dispensable | Max. Fuse Size or HACR Circuit Breaker | Amperage | Voltage | Shipping Weight |
|----------|--|--------------|-------------|---|----------|-----------|-----------------|
| DM-4420N | 22" x 30 ¹ / ₂ " x 40" | 200 lbs. | 170 lbs. | 15A | 3A | 115V/60/1 | 185 lbs. |

Power cord included.

Operating Limits

- Water Pressure Min 75 PSIG
- Voltage Range 104 - 132V

Service

- Space required: 22.5" width and 31" depth
- Allow a minimum clearance of 16" (41 cm) above the dispenser for easy filling with ice
- All components accessible for service

Plumbing

- Water inlet: 3/8" barb, tubing not included
- Drain Pan Outlet: 3/4" slip fit, 6' insulated flexible tubing included
- Dispenser Outlet: 3/4" barb fit, 6' insulated flexible tubing included
 - 90° drain fitting installed (180° drain fitting also included)

Options

- HS-5329 Dispenser top cover for FS-1022
- HS-5330 22" wide cubelet ice machine adapter kit (FD-650M_H-C, FD-1002M_J-C)



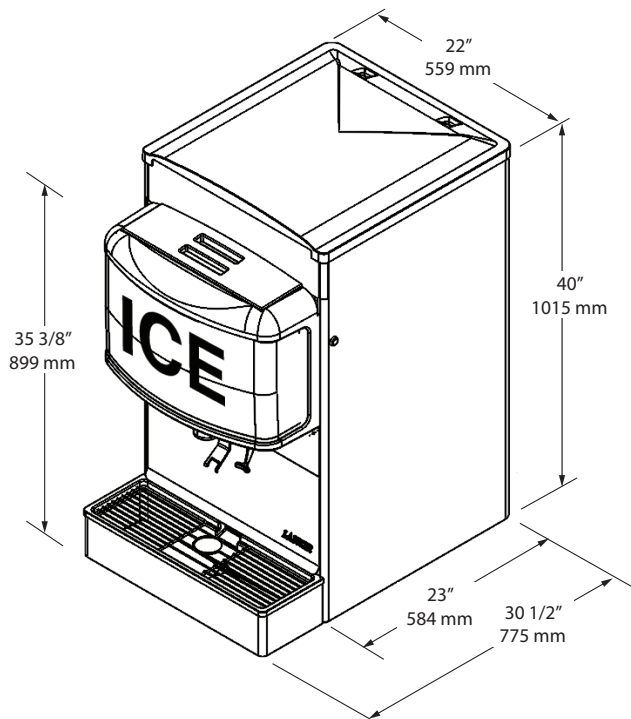
DM-4420N

COUNTERTOP CUBELET ICE & WATER DISPENSER

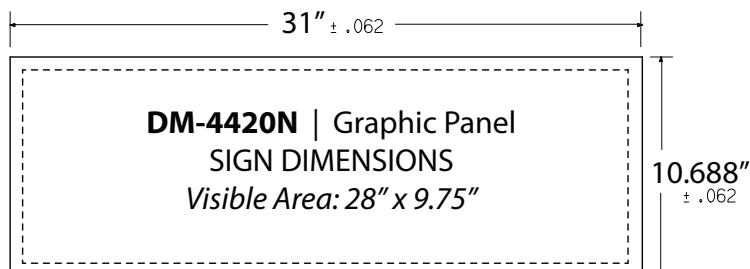


DM-4420N
10/30/18
Item # 13424

Manufactured by Lancer Corp.



TRANSLITE PANEL



Graphic Requirements:

- 360 dpi resolution. Scale 1=1
- Colors for CMYK process
- Image with 1/4" of excess by side
- Graphics must be saved in photoshop (with layers) (or your sign company file type requirements)
- Include a full color print out

Material Requirements:

- Thickness: 0.30" (.0762 mm)
- Common materials: Translucent Polystyrene, Polycarbonate/Lexan, Acrylic, PETG

Note: Texts and important parts of the image should be within the visible area.
The visible area is illustrated by dotted lines when it applies.



FD-1002M_J-C
on DM-4420N



FD-650M_J-C
on DM-4420N



FS-1022MLJ-C
on DM-4420N

Total Dimensions: 22"W x 30.5"D x 66"H