



**John
BOOS**
Since 1887

ITEM #: _____ QTY: _____
 MODEL #: _____
 PROJECT NAME: _____

111418

3601 S. Banker St. Effingham, IL 62401 • P.O. BOX 609 • Ph: (888) 431-2667 • Fax: (800) 433-2667

"ST4R1.5-GBK" STAINLESS STEEL TOP WORK TABLES

14GA TOP W/ 1.5" RISER AND GALV LEGS AND ADJUSTABLE BRACING



FEATURES:

- 14 GAUGE STAINLESS STEEL TOP
- TYPE 300 STAINLESS STEEL WITH #4 POLISH, SATIN FINISH
- TOP IS SOUND DEADENED
- REINFORCED WITH 1" X 2" CHANNEL RUNNING LENGTH OF TABLE
- 1-1/2" STALLION EDGE ON FRONT AND 1-1/2" BACKSLPLASH ON REAR WITH SIDE EDGES 90 DEGREE BEND DOWN FOR TABLE LINE-UP
- GALVANIZED BASE WITH ADJUSTABLE BRACING
- ADJUSTABLE BULLET FEET
- SHIPPED KNOCKED-DOWN, EASY-T0-ASSEMBLE
- NSF CERTIFIED



ST4R1.5-3048GBK

CONSTRUCTION:

- TOP: STAINLESS STEEL TOPS ARE TIG WELDED, EXPOSED WELDS ARE POLISHED TO MATCH ADJACENT SURFACE

MATERIAL:

- TOP: 14 GAUGE, TYPE 300 STAINLESS STEEL WITH #4 POLISH, SATIN FINISH
- BRACING: 1-1/4" ROUND O.D., 18 GAUGE TUBULAR GALVANIZED
- LEGS: 1-5/8" ROUND O.D., 16 GAUGE TUBULAR GALVANIZED
- GUSSETS: GALVANIZED STEEL
- FEET: 1" ADJUSTABLE STAINLESS STEEL BULLET FEET



ADJUSTABLE BRACING

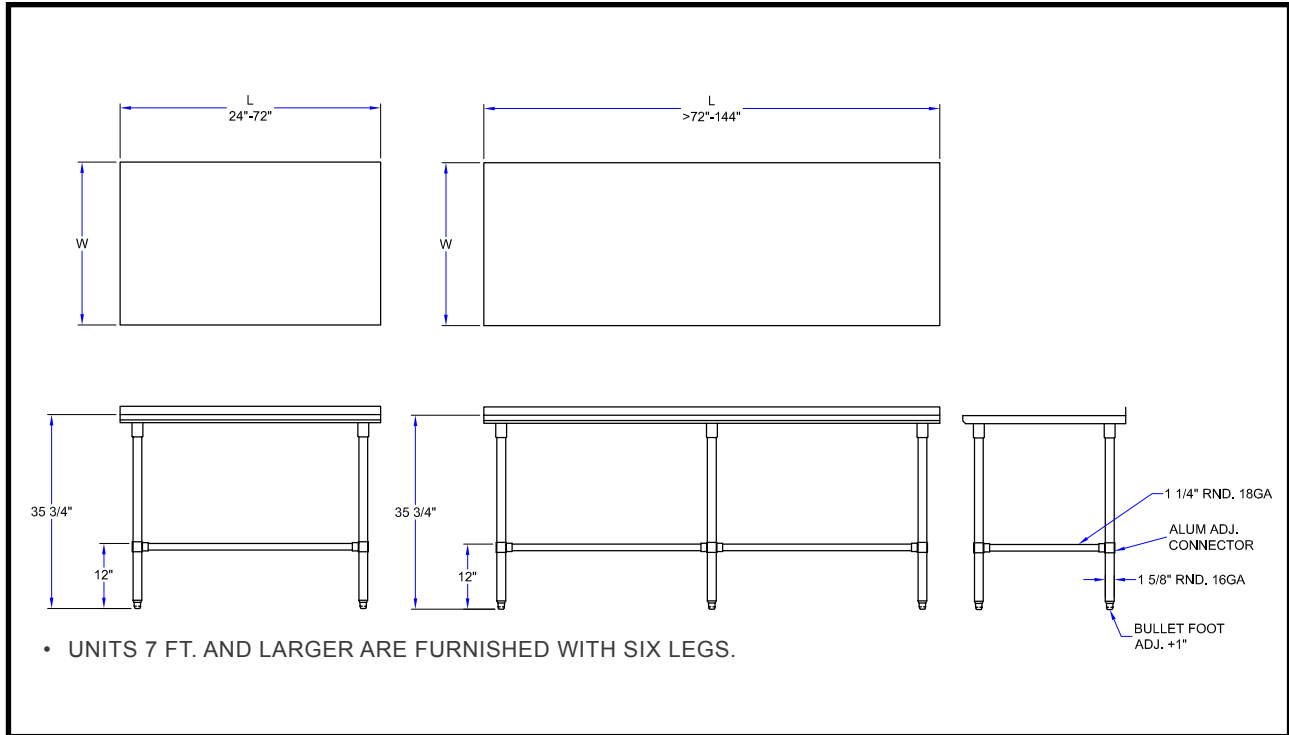
14 GAUGE TOP W/ ADJUSTABLE SHELF

24" WIDE	QTY	30" WIDE	QTY	36" WIDE	QTY
ST4R1.5-2424GBK		ST4R1.5-3024GBK		ST4R1.5-3624GBK	
ST4R1.5-2430GBK		ST4R1.5-3030GBK		ST4R1.5-3630GBK	
ST4R1.5-2436GBK		ST4R1.5-3036GBK		ST4R1.5-3636GBK	
ST4R1.5-2448GBK		ST4R1.5-3048GBK		ST4R1.5-3648GBK	
ST4R1.5-2460GBK		ST4R1.5-3060GBK		ST4R1.5-3660GBK	
ST4R1.5-2472GBK		ST4R1.5-3072GBK		ST4R1.5-3672GBK	
ST4R1.5-2484GBK		ST4R1.5-3084GBK		ST4R1.5-3684GBK	
ST4R1.5-2496GBK		ST4R1.5-3096GBK		ST4R1.5-3696GBK	
ST4R1.5-24108GBK		ST4R1.5-30108GBK		ST4R1.5-36108GBK	
ST4R1.5-24120GBK		ST4R1.5-30120GBK		ST4R1.5-36120GBK	
ST4R1.5-24132GBK		ST4R1.5-30132GBK		ST4R1.5-36132GBK	
ST4R1.5-24144GBK		ST4R1.5-30144GBK		ST4R1.5-36144GBK	

OPTIONAL ACCESSORIES

DESCRIPTION	MODEL #	QTY
DRAWER		
DRAWER LOCK		
CASTERS		
OVERSHELVES		
SINKS		
POT RACK		

DETAILED SPECIFICATIONS



14 GAUGE TOP W/ ADJUSTABLE UNDERSHELF

LENGTH	24" WIDE	WT. (LBS)	30" WIDE	WT. (LBS)	36" WIDE	WT. (LBS)
24"	ST4R1.5-2424GBK	42	ST4R1.5-3024GBK	47	ST4R1.5-3624GBK	53
30"	ST4R1.5-2430GBK	47	ST4R1.5-3030GBK	52	ST4R1.5-3630GBK	60
36"	ST4R1.5-2436GBK	52	ST4R1.5-3036GBK	59	ST4R1.5-3636GBK	67
48"	ST4R1.5-2448GBK	63	ST4R1.5-3048GBK	70	ST4R1.5-3648GBK	80
60"	ST4R1.5-2460GBK	73	ST4R1.5-3060GBK	82	ST4R1.5-3660GBK	93
72"	ST4R1.5-2472GBK	83	ST4R1.5-3072GBK	93	ST4R1.5-3672GBK	106
84"	ST4R1.5-2484GBK	102	ST4R1.5-3084GBK	115	ST4R1.5-3684GBK	130
96"	ST4R1.5-2496GBK	112	ST4R1.5-3096GBK	127	ST4R1.5-3696GBK	144
108"	ST4R1.5-24108GBK	121	ST4R1.5-30108GBK	138	ST4R1.5-36108GBK	158
120"	ST4R1.5-24120GBK	133	ST4R1.5-30120GBK	150	ST4R1.5-36120GBK	172
132"	ST4R1.5-24132GBK	143	ST4R1.5-30132GBK	162	ST4R1.5-36132GBK	185
144"	ST4R1.5-24144GBK	154	ST4R1.5-30144GBK	175	ST4R1.5-36144GBK	201

MODEL # STRUCTURE

24 = WIDTH OF WORK SURFACE
 1.5 = HT. OF RISER W/ TURNDOWN
 R = RISER TOP WORK TABLE
 4 = 14GA WORK SURFACE
 ST = STAINLESS STEEL TOP

30 = LENGTH OF WORK SURFACE
 GB = GALVANIZED LEGS & BRACING
 K = K.D. W/ ADJUSTABLE BRACING

ST4R1.5-2430GBK

SOME UNITS SHIP UNASSEMBLED FOR REDUCED SHIPPING COST. ALL DIMENSIONS ARE TYPICAL. TOLERANCE +/- .500"

John Boos & Co. is constantly engaged in a program of improving products and therefore reserves the right to change specifications without prior notice.



3601 S. Banker St. • Effingham, IL 62401 • PO BOX 609 • quotes@johnboos.com

103018



www.johnboos.com

229