

ITEM #: _____ QTY: _____
 MODEL #: _____
 PROJECT NAME: _____

011018

3601 S. Banker St. Effingham, IL 62401 • P.O. BOX 609 • Ph: (888) 431-2667 • Fax: (800) 433-2667

"LT6" ERGONOMIC HYDRAULIC LIFT TABLES 16GA **W/ STAINLESS STEEL TOP, 18GA FIXED UNDERSHELF, & STAINLESS STEEL LEGS**

FEATURES:

- 16 GAUGE STAINLESS STEEL TOP
- 18 GAUGE FIXED STAINLESS STEEL UNDERSHELF
- HYDRAULIC LIFT SYSTEM
- 32"-40" ADJUSTABLE TABLE HEIGHT
- 8" STROKE LIFT SYSTEM CYLINDERS
- HAND CRANK HEIGHT ADJUSTMENT
- FOLDABLE HAND CRANK WHEN NOT IN USE
- ADJUSTABLE FLOOR GLIDES

CONSTRUCTION:

- TOP: STAINLESS STEEL TOPS ARE TIG WELDED, EXPOSED WELDS ARE POLISHED TO MATCH ADJACENT SURFACE.

MATERIAL:

- TOP: 16 GAUGE STAINLESS STEEL TYPE 300 SERIES
- FIXED SHELF: 18 GAUGE STAINLESS STEEL
- LEGS: STAINLESS STEEL
- FEET: ADJUSTABLE FLOOR GLIDES



LT6R5-3048SSW



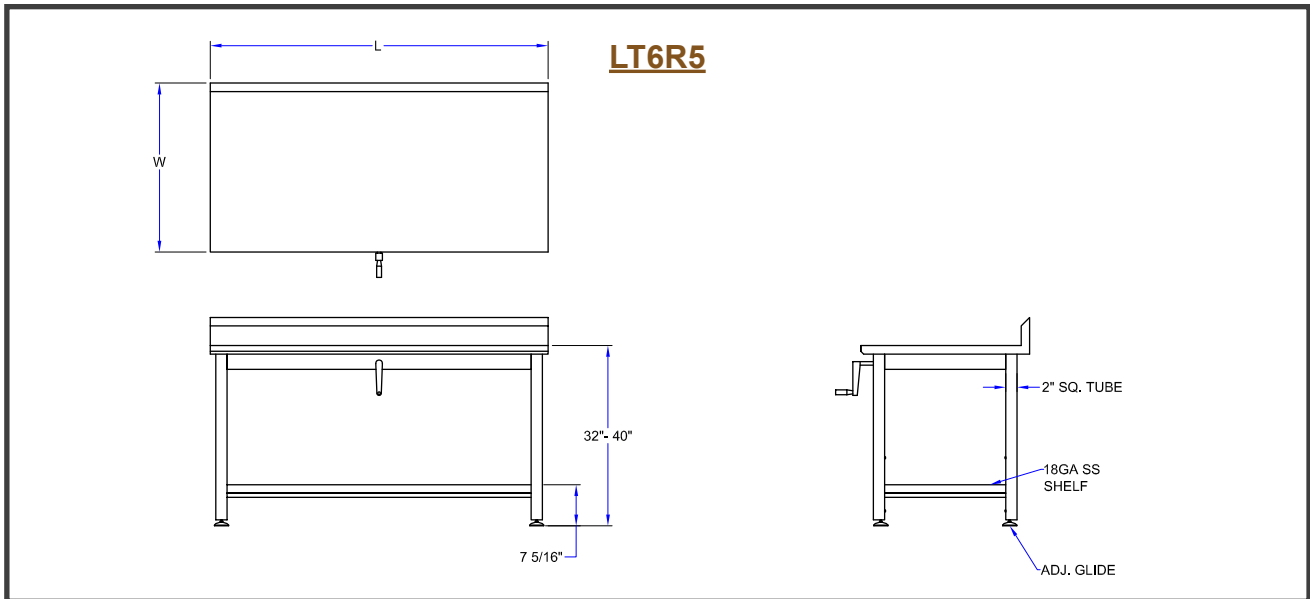
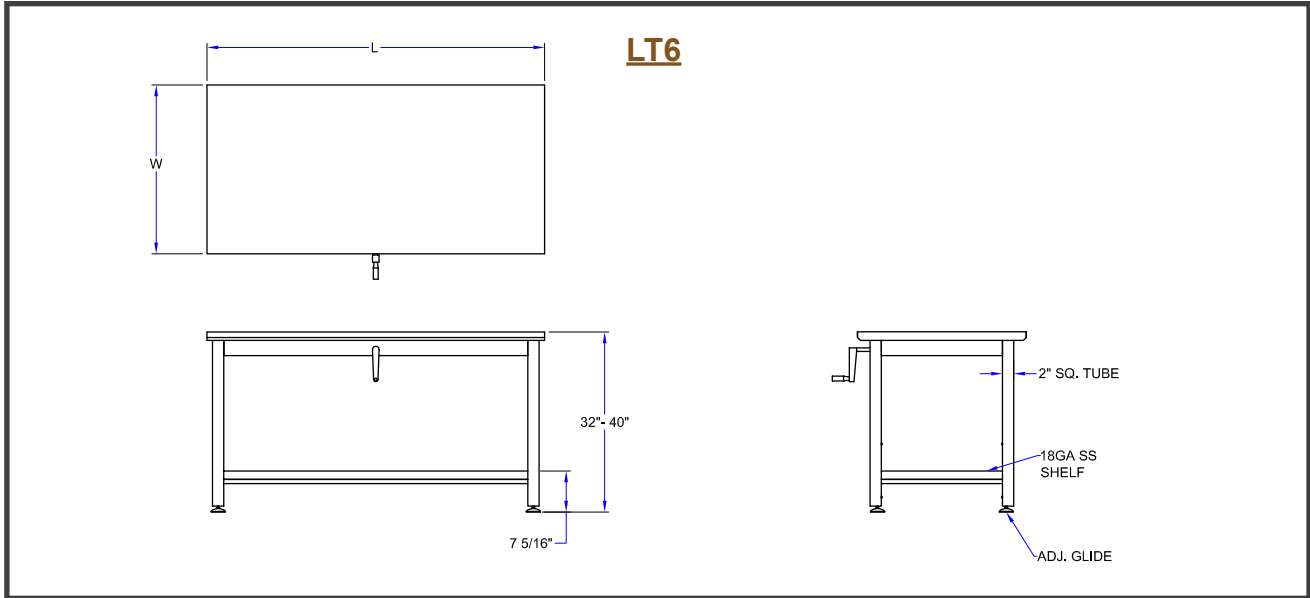
LT6-3048SSW



ERGONOMIC HYDRAULIC LIFT TABLES 16GA

FLAT TOP	QTY	5" RISER TOP	QTY
LT6-3048SSW		LT6R5-3048SSW	
LT6-3060SSW		LT6R5-3060SSW	
LT6-3072SSW		LT6R5-3072SSW	

DETAILED SPECIFICATIONS



HYDRAULIC LIFT TABLES W/ FIXED UNDERSHELF

W	L	FLAT TOP	WT. (LBS)	FLAT TOP W/ CASTERS	WT. (LBS)
30"	48"	LT6-3048SSW	145	LT6-3048SSW-C	150
30"	60"	LT6-3060SSW	165	LT6-3060SSW-C	170
30"	72"	LT6-3072SSW	185	LT6-3072SSW-C	190

HYDRAULIC LIFT TABLES W/ FIXED UNDERSHELF

W	L	5" RISER TOP	WT. (LBS)	5" RISER TOP W/ CASTERS	WT. (LBS)
30"	48"	LT6R5-3048SSW	150	LT6R5-3048SSW-C	155
30"	60"	LT6R5-3060SSW	170	LT6R5-3060SSW-C	175
30"	72"	LT6R5-3072SSW	190	LT6R5-3072SSW-C	195

SOME UNITS SHIP UNASSEMBLED FOR REDUCED SHIPPING COST. ALL DIMENSIONS ARE TYPICAL. TOLERANCE +/- .500"

John Boos & Co. is constantly engaged in a program of improving products and therefore reserves the right to change specifications without prior notice.



3601 S. Banker St. • Effingham, IL 62401 • PO BOX 609 • quotes@johnboos.com

www.johnboos.com