



**John
BOOS**
Since 1887

ITEM #: _____ QTY: _____
 MODEL #: _____
 PROJECT NAME: _____

062217

3601 S. Banker St. Effingham, IL 62401 • P.O. BOX 609 • Ph: (888) 431-2667 • Fax: (800) 433-2667

"GS6-GSK" EQUIPMENT STANDS

GALVANIZED BASE



FEATURES:

- 16GA TYPE 300 STAINLESS STEEL TOP WITH #4 POLISH, SATIN FINISH
- 1-1/2" TURNED UP BACK AND BOTH ENDS, W/ 7/8" RADIUS FRONT EDGE
- TOP FRAME IS REINFORCED BY A FULL FRAME FABRICATED OF 1-1/2" SQUARE O.D. TUBE 16GA PRE-GALVANIZED STEEL
- GALVANIZED STEEL BASE
- SHIPPED KNOCKED-DOWN, EASY - TO - ASSEMBLE

MATERIAL:

- TOP: 16GA STAINLESS STEEL TYPE 300 STAINLESS STEEL WITH #4 POLISH, SATIN FINISH
- SHELF: 18GA GALVANIZED STEEL
- LEGS: 1-5/8" ROUND O.D. 16GA TUBULAR GALVANIZED STEEL
- GUSSETS: GALVANIZED STEEL
- FEET: 1" BULLET FEET

CONSTRUCTION:

- TOP: STAINLESS STEEL TOPS ARE TIG WELDED, EXPOSED WELDS ARE POLISHED TO MATCH ADJACENT SURFACE
- BASE: MIG WELDED GALVANIZED FRAME



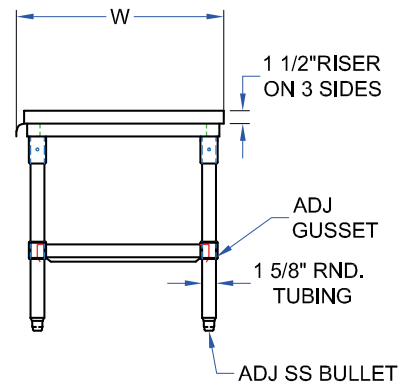
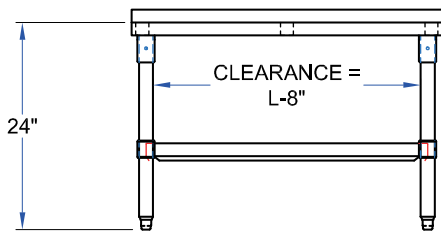
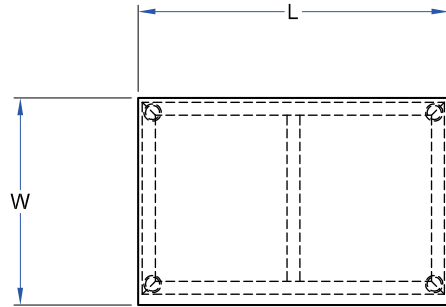
OPTIONAL ACCESSORIES

DESCRIPTION	QTY
MAPLE CUTTING BOARDS	
WELDED SET-UP	

"GS6-GSK" EQUIPMENT STANDS W/ GALV SHELF BASE

24" WIDE	QTY	30" WIDE	QTY	36" WIDE	QTY
GS6-2415GSK		GS6-3015GSK		GS6-3615GSK	
GS6-2418GSK		GS6-3018GSK		GS6-3618GSK	
GS6-2424GSK		GS6-3024GSK		GS6-3624GSK	
GS6-2430GSK		GS6-3030GSK		GS6-3630GSK	
GS6-2436GSK		GS6-3036GSK		GS6-3636GSK	
GS6-2448GSK		GS6-3048GSK		GS6-3648GSK	
GS6-2460GSK		GS6-3060GSK		GS6-3660GSK	
DGS6-2472GSK		GS6-3072GSK		GS6-3672GSK	

DETAILED SPECIFICATIONS



"GS6-GSK" EQUIPMENT STANDS W/ GALV SHELF BASE

LENGTH	24" WIDE	WT. (LBS)	30" WIDE	WT. (LBS)	36" WIDE	WT. (LBS)
15"	GS6-2415GSK	30	GS6-3015GSK	36	GS6-3615GSK	38
18"	GS6-2418GSK	36	GS6-3018GSK	40	GS6-3618GSK	44
24"	GS6-2424GSK	47	GS6-3024GSK	51	GS6-3624GSK	55
30"	GS6-2430GSK	60	GS6-3030GSK	63	GS6-3630GSK	80
36"	GS6-2436GSK	65	GS6-3036GSK	69	GS6-3636GSK	73
48"	GS6-2448GSK	80	GS6-3048GSK	90	GS6-3648GSK	100
60"	GS6-2460GSK	95	GS6-3060GSK	111	GS6-3660GSK	127
72"	GS6-2472GSK	111	GS6-3072GSK	132	GS6-3672GSK	154

SOME UNITS SHIP UNASSEMBLED FOR REDUCED SHIPPING COST. ALL DIMENSIONS ARE TYPICAL. TOLERANCE +/- .500"
 John Boos & Co. is constantly engaged in a program of improving products and therefore reserves the right to change specifications without prior notice.



3601 S. Banker St. • Effingham, IL 62401 • PO BOX 609 • quotes@johnboos.com

www.johnboos.com