



ITEM #: \_\_\_\_\_ QTY: \_\_\_\_\_  
 MODEL #: \_\_\_\_\_  
 PROJECT NAME: \_\_\_\_\_

063017

3601 S. Banker St. Effingham, IL 62401 • P.O. BOX 609 • Ph: (888) 431-2667 • Fax: (800) 433-2667

**"FBLGR5" STAINLESS STEEL TOP WORK TABLES**    
**18GA TOP W/5" REAR RISER AND GALV LEGS AND ADJUSTABLE UNDERSHELF**  
**\*BUDGET E-SERIES\***

**FEATURES:**

- 18 GAUGE STAINLESS STEEL TOP  
W/5" REAR RISER & TURNDOWN
- TYPE 430 STAINLESS STEEL MECHANICALLY POLISHED WITH SATIN FINISH
- TOP IS SOUND DEADENED
- REINFORCED WITH 1"X2" CHANNEL RUNNING ENTIRE LENGTH OF TABLE
- 1-1/2" STALLION EDGE ON FRONT SIDE EDGES  
90° BEND DOWN FOR TABLE LINE-UP
- GALVANIZED BASE AND ADJUSTABLE UNDERSHELF
- ADJUSTABLE BULLET FEET
- SHIPPED KNOCKED-DOWN, EASY-TO-ASSEMBLE
- NSF AND CSA CERTIFIED



FBLGR54830

**CONSTRUCTION:**

- TOP: STAINLESS STEEL TOPS ARE TIG WELDED, EXPOSED WELDS ARE POLISHED TO MATCH ADJACENT SURFACE.

**MATERIAL:**

- TOP: 18 GAUGE STAINLESS STEEL TYPE 430 STAINLESS STEEL MECHANICALLY POLISHED WITH SATIN FINISH
- SHELF: 18 GAUGE GALVANIZED STEEL
- LEGS: 1-5/8" ROUND O.D. 16 GAUGE TUBULAR GALVANIZED STEEL
- GUSSETS: GALVANIZED STEEL
- FEET: 1" ADJUSTABLE PLASTIC BULLET FEET

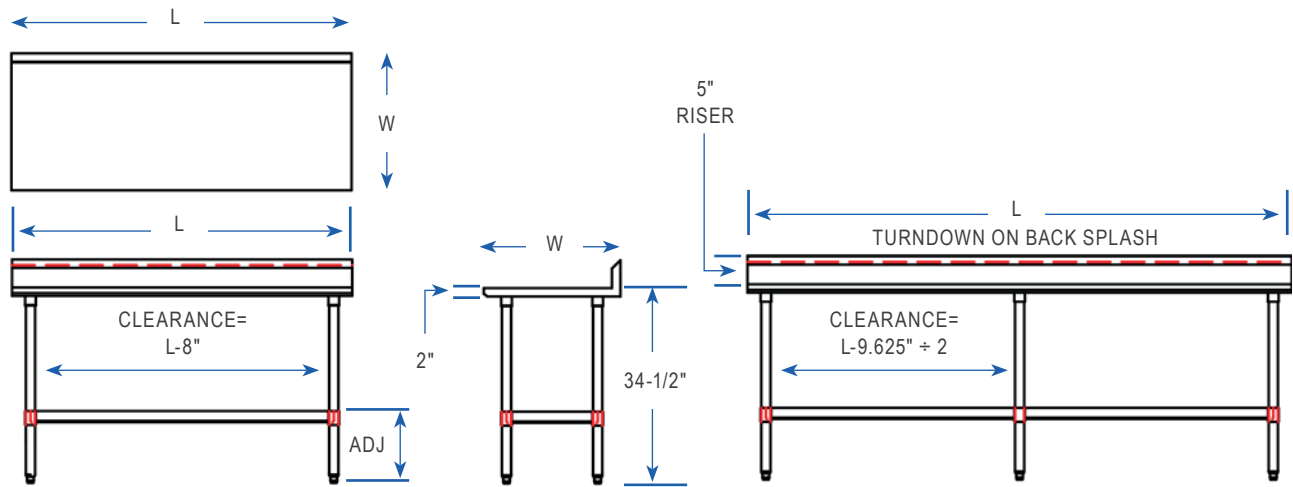


ADJUSTABLE SHELF

**18 GAUGE TOP W/ ADJUSTABLE UNDERSHELF**

| 24" WIDE   | QTY | 30" WIDE   | QTY |
|------------|-----|------------|-----|
| FBLGR52424 |     | -          |     |
| FBLGR53024 |     | FBLGR53030 |     |
| FBLGR53624 |     | FBLGR53630 |     |
| FBLGR54824 |     | FBLGR54830 |     |
| FBLGR56024 |     | FBLGR56030 |     |
| FBLGR57224 |     | FBLGR57230 |     |
| FBLGR58424 |     | FBLGR58430 |     |
| FBLGR59624 |     | FBLGR59630 |     |

## DETAILED SPECIFICATIONS



- UNITS 7 FT. AND LARGER ARE FURNISHED WITH SIX LEGS.
- FINISHED SIZE OF UNDERSHELF.  
 $\text{SHELF LENGTH} = \text{LENGTH MINUS } 4.875"$   
 $\text{SHELF WIDTH} = \text{WIDTH MINUS } 4.25"$

### 18 GAUGE TOP W/ ADJUSTABLE UNDERSHELF

| LENGTH | 24" WIDE   | WT. (LBS) | 30" WIDE   | WT. (LBS) |
|--------|------------|-----------|------------|-----------|
| 24"    | FBLGR52424 | 40        | -          | -         |
| 30"    | FBLGR53024 | 45        | FBLGR53030 | 50        |
| 36"    | FBLGR53624 | 50        | FBLGR53630 | 56        |
| 48"    | FBLGR54824 | 61        | FBLGR54830 | 69        |
| 60"    | FBLGR56024 | 71        | FBLGR56030 | 82        |
| 72"    | FBLGR57224 | 83        | FBLGR57230 | 94        |
| 84"    | FBLGR58424 | 103       | FBLGR58430 | 126       |
| 96"    | FBLGR59624 | 111       | FBLGR59630 | 128       |

SOME UNITS SHIP UNASSEMBLED FOR REDUCED SHIPPING COST. ALL DIMENSIONS ARE TYPICAL. TOLERANCE +/- .500"  
 John Boos & Co. is constantly engaged in a program of improving products and therefore reserves the right to change specifications without prior notice.



3601 S. Banker St. • Effingham, IL 62401 • PO BOX 609 • quotes@johnboos.com

063017

Boos  
lock

AQ AutoQuotes

www.johnboos.com

241