



**John
BOOS**
Since 1887

ITEM #: _____ QTY: _____

MODEL #: _____

PROJECT NAME: _____

053118

3601 S. Banker St. Effingham, IL 62401 • P.O. BOX 609 • Ph: (888) 431-2667 • Fax: (800) 433-2667

“CUCTA” CUCINA TAVALO

FEATURES:

- 16 GAUGE STAINLESS STEEL TOP
- TYPE 300 STAINLESS STEEL W/ #4 POLISH, SATIN FINISH
- TOP IS SOUND DEADENED
- REINFORCED W/ 1" X 2" CHANNEL RUNNING LENGTH OF TABLE
- 1-1/2" STALLION EDGE ON FRONT & REAR OR 5" BACKSPLASH, W/ SIDE EDGES 90 DEGREE BEND DOWN FOR TABLE LINE-UP
- STAINLESS STEEL BASE W/ ADJUSTABLE UNDERSHELF
- ADJUSTABLE BULLET FEET
- SHIPPED KNOCKED-DOWN, EASY-TO-ASSEMBLE
- OPTIONS: SET OF 4 - 5" LOCKING CASTERS: CAS01-R



CUCTA19

CONSTRUCTION:

- TOP: STAINLESS STEEL TOPS ARE TIG WELDED, EXPOSED WELDS ARE POLISHED TO MATCH ADJACENT SURFACE

MATERIAL:

- TOP: 16 GAUGE, TYPE 300 STAINLESS STEEL W/ #4 POLISH, SATIN FINISH
- SHELF: 18 GAUGE STAINLESS STEEL, (36" WIDE TABLES, 16 GAUGE LOWER SHELF)
- LEGS: 1-5/8" ROUND O.D., 16 GAUGE TUBULAR STAINLESS STEEL
- GUSSETS: STAINLESS STEEL
- FEET: 1" ADJUSTABLE STAINLESS STEEL BULLET FEET



CUCTA02

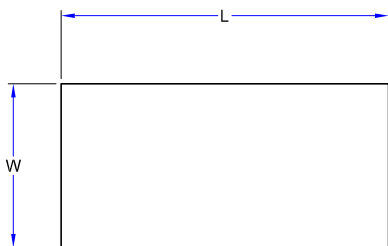


CAS01-R

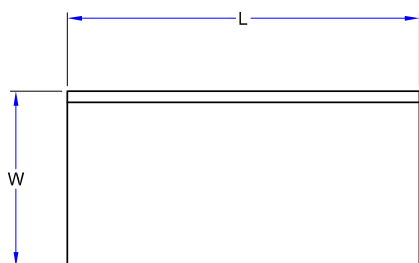
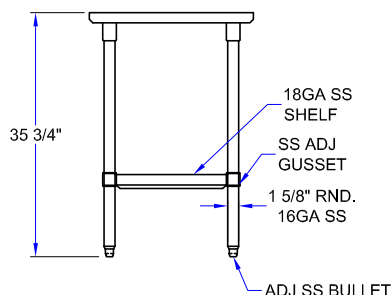
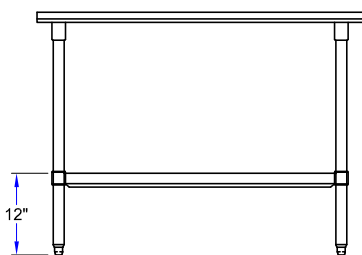
CUCINA TAVALO

MODEL #	QTY
CUCTA02	
CUCTA03	
CUCTA08	
CUCTA09	
CUCTA19	
CUCTA20	
CUCTA25	
CUCTA26	

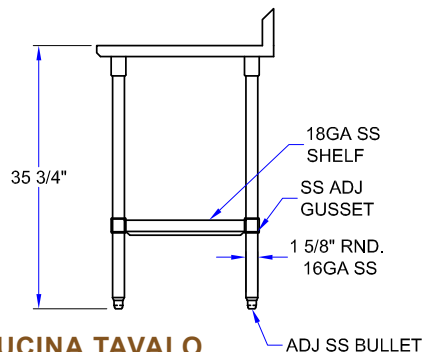
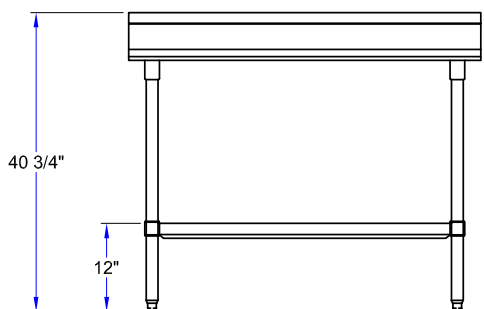
DETAILED SPECIFICATIONS



*USED IN CUCTA02-CUCTA09



*USED IN CUCTA19-CUCTA26



CUCINA TAVALO

MODEL #	L X W	DESCRIPTION	WORK HEIGHT	WEIGHT (LBS)
CUCTA02	48" X 24"	W/OUT RISER	35 3/4"	65
CUCTA03	60" X 24"	W/OUT RISER	35 3/4"	80
CUCTA08	48" X 30"	W/OUT RISER	35 3/4"	75
CUCTA09	60" X 30"	W/OUT RISER	35 3/4"	85
CUCTA19	48" X 24"	W/ 5" RISER	35 3/4"	75
CUCTA20	60" X 24"	W/ 5" RISER	35 3/4"	85
CUCTA25	48" X 30"	W/ 5" RISER	35 3/4"	80
CUCTA26	60" X 30"	W/ 5" RISER	35 3/4"	95

SOME UNITS SHIP UNASSEMBLED FOR REDUCED SHIPPING COST. ALL DIMENSIONS ARE TYPICAL. TOLERANCE +/- .500"

John Boos & Co. is constantly engaged in a program of improving products and therefore reserves the right to change specifications without prior notice.



Boos
locks

AQ AutoQuotes

3601 S. Banker St. • Effingham, IL 62401 • PO BOX 609 • quotes@johnboos.com

www.johnboos.com

060418

253