



**John  
BOOS**  
Since 1887

ITEM #: \_\_\_\_\_ QTY: \_\_\_\_\_  
 MODEL #: \_\_\_\_\_  
 PROJECT NAME: \_\_\_\_\_

062217

3601 S. Banker St. Effingham, IL 62401 • P.O. BOX 609 • Ph: (888) 431-2667 • Fax: (800) 433-2667

## **"43PB1431-1D" PRO-BOWL PLATTER SINKS 14GA**

### **3 COMPARTMENT WITH 1 DRAIN BOARD - STAINLESS STEEL BASE**



#### **FEATURES:**

- STANDARD 14GA TYPE 300 STAINLESS STEEL WITH #4 POLISH, SATIN FINISH
- 12" & 14" DEEP BOWLS
- ALL CORNERS, BOTH VERTICAL AND HORIZONTAL, COVERED AT 5/8" RADIUS
- BOTTOMS OF BOWLS FORMED FOR DRAINAGE TO 3-1/2" DIAMETER DIE STAMPED OPENING
- FULL LENGTH **10" HIGH BOXED BACKSPLASH**, WITH 2" RETURN TO WALL AT 45 DEGREE AND 3/4" TURNED DOWN REAR LIP
- 2 SETS OF FAUCET HOLES 8" ON-CENTER
- 1-1/8" FAUCET HOLES IN BACKSPLASH
- SOLID STAINLESS STEEL FRONT PANEL, TYPE 300 STAINLESS STEEL WITH #4 POLISH, SATIN FINISH
- ALL OUTSIDE CORNERS OF ASSEMBLY ARE BULLNOSED TO PROVIDE SAFE, CLEAN, AND POLISHED EDGE

#### **MATERIAL:**

- BOWLS & TOP: 14GA TYPE 300 STAINLESS STEEL WITH #4 POLISH, SATIN FINISH
- LEGS: 1-5/8" ROUND O.D. STAINLESS STEEL
- BRACING: 1-1/4" ROUND O.D. STAINLESS STEEL
- GUSSETS: STAINLESS STEEL
- FEET: 1" ADJUSTABLE STAINLESS STEEL BULLET FEET



SPECIFY LEFT SIDE OR RIGHT SIDE DRAIN BOARD

#### **CONSTRUCTION:**

- TOP: STAINLESS STEEL SINKS ARE TIG WELDED, EXPOSED WELDS ARE POLISHED TO MATCH ADJACENT SURFACE
- BASE: STAINLESS STEEL BASES, STANDARD K.D.

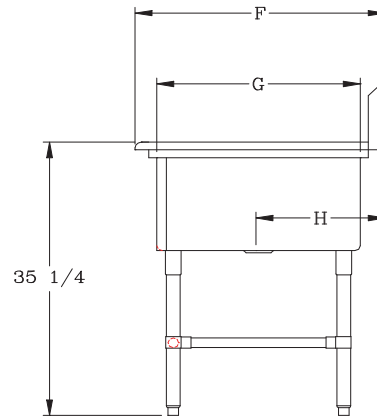
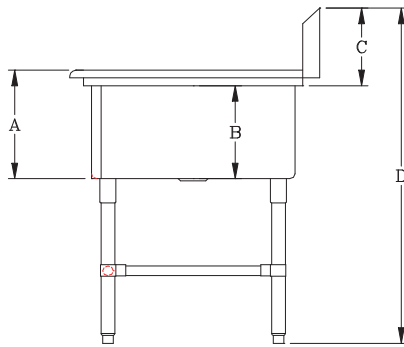
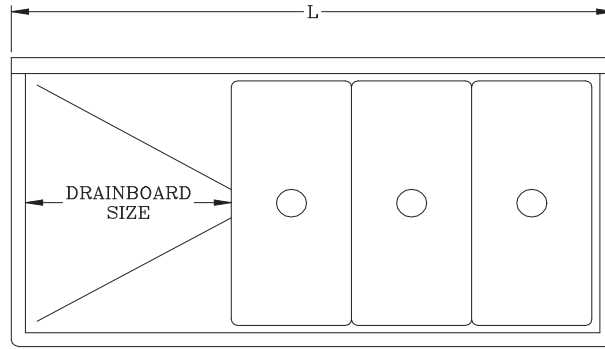
#### **14GA - "43PB-1D" PRO-BOWL PLATTER SINKS**

| 12" DEEP      | QTY | 14" DEEP       | QTY |
|---------------|-----|----------------|-----|
| 43PB1431-1D18 |     | 43PB14314-1D18 |     |
| 43PB1431-1D24 |     | 43PB14314-1D24 |     |
| 43PB1431-1D30 |     | 43PB14314-1D30 |     |

#### **OPTIONAL ACCESSORIES**

| DESCRIPTION                 | QTY |
|-----------------------------|-----|
| END SPLASHES, R, L, OR BOTH |     |
| FAUCETS                     |     |
| ADD-A-FAUCETS               |     |
| PRE-RINSE UNITS             |     |
| LEVEL WASTE                 |     |
| OVERSHELVES                 |     |
| POT RACK                    |     |

# DETAILED SPECIFICATIONS



|   | 12" DEEP | 14" DEEP |
|---|----------|----------|
| A | 14"      | 16"      |
| B | 12"      | 14"      |
| C | 10"      | 10"      |
| D | 43"      | 43"      |

## BOWLS

| BOWL SIZE | F       | G   | H        |
|-----------|---------|-----|----------|
| 14" X 31" | 36-1/2" | 31" | 18-7/16" |

## (12" DEEP) 14GA - "43PB-1D" PRO-BOWL PLATTER SINKS

| MODEL         | BOWL SIZE    | DIMENSIONS         | DB  | WT. (LBS) |
|---------------|--------------|--------------------|-----|-----------|
| 43PB1431-1D18 | 14 X 31 X 12 | 64-3/16" X 36-1/2" | 18" | 166       |
| 43PB1431-1D24 | 14 X 31 X 12 | 70-3/16" X 36-1/2" | 24" | 173       |
| 43PB1431-1D30 | 14 X 31 X 12 | 76-3/16" X 36-1/2" | 30" | 179       |

## (14" DEEP) 14GA - "43PB-1D" PRO-BOWL PLATTER SINKS

| MODEL          | BOWL SIZE    | DIMENSIONS         | DB  | WT. (LBS) |
|----------------|--------------|--------------------|-----|-----------|
| 43PB14314-1D18 | 14 X 31 X 14 | 64-3/16" X 36-1/2" | 18" | 180       |
| 43PB14314-1D24 | 14 X 31 X 14 | 70-3/16" X 36-1/2" | 24" | 186       |
| 43PB14314-1D30 | 14 X 31 X 14 | 76-3/16" X 36-1/2" | 30" | 193       |

SOME UNITS SHIP UNASSEMBLED FOR REDUCED SHIPPING COST. ALL DIMENSIONS ARE TYPICAL. TOLERANCE +/- .500"  
 John Boos & Co. is constantly engaged in a program of improving products and therefore reserves the right to change specifications without prior notice.



3601 S. Banker St. • Effingham, IL 62401 • PO BOX 609 • quotes@johnboos.com

062217



www.johnboos.com

457