



**John
BOOS**
Since 1887

ITEM #: _____ QTY: _____
 MODEL #: _____
 PROJECT NAME: _____

011719

3601 S. Banker St. Effingham, IL 62401 • P.O. BOX 609 • Ph: (888) 431-2667 • Fax: (800) 433-2667

"42PB2028-1D" PRO-BOWL COMPARTMENT SINKS 14GA **2 COMPARTMENT WITH 1 DRAIN BOARD - STAINLESS STEEL BASE**



FEATURES:

- STANDARD 14GA TYPE 300 STAINLESS STEEL WITH #4 POLISH, SATIN FINISH
- 12" & 14" DEEP BOWLS
- ALL CORNERS, BOTH VERTICAL AND HORIZONTAL, COVERED AT 5/8" RADIUS
- BOTTOMS OF BOWLS FORMED FOR DRAINAGE TO 3-1/2" DIAMETER DIE STAMPED OPENING
- FULL LENGTH **10" HIGH BOXED BACKSPLASH**, WITH 2" RETURN TO WALL AT 45 DEGREE AND 3/4" TURNED DOWN REAR LIP
- 8" ON-CENTER, 1" FAUCET HOLES IN BACKSPLASH
- SOLID STAINLESS STEEL FRONT PANEL, TYPE 300 STAINLESS STEEL WITH #4 POLISH, SATIN FINISH
- ALL OUTSIDE CORNERS OF ASSEMBLY ARE BULLNOSED TO PROVIDE SAFE, CLEAN, AND POLISHED EDGE

MATERIAL:

- BOWLS & TOP: 14GA TYPE 300 STAINLESS STEEL WITH #4 POLISH, SATIN FINISH
- LEGS: 1-5/8" ROUND O.D. STAINLESS STEEL
- BRACING: 1-1/4" ROUND O.D. STAINLESS STEEL
- GUSSETS: STAINLESS STEEL
- FEET: 1" ADJUSTABLE STAINLESS STEEL BULLET FEET



SPECIFY LEFT SIDE OR RIGHT SIDE DRAIN BOARD

CONSTRUCTION:

- TOP: STAINLESS STEEL SINKS ARE TIG WELDED, EXPOSED WELDS ARE POLISHED TO MATCH ADJACENT SURFACE
- BASE: STAINLESS STEEL BASES, STANDARD K.D.

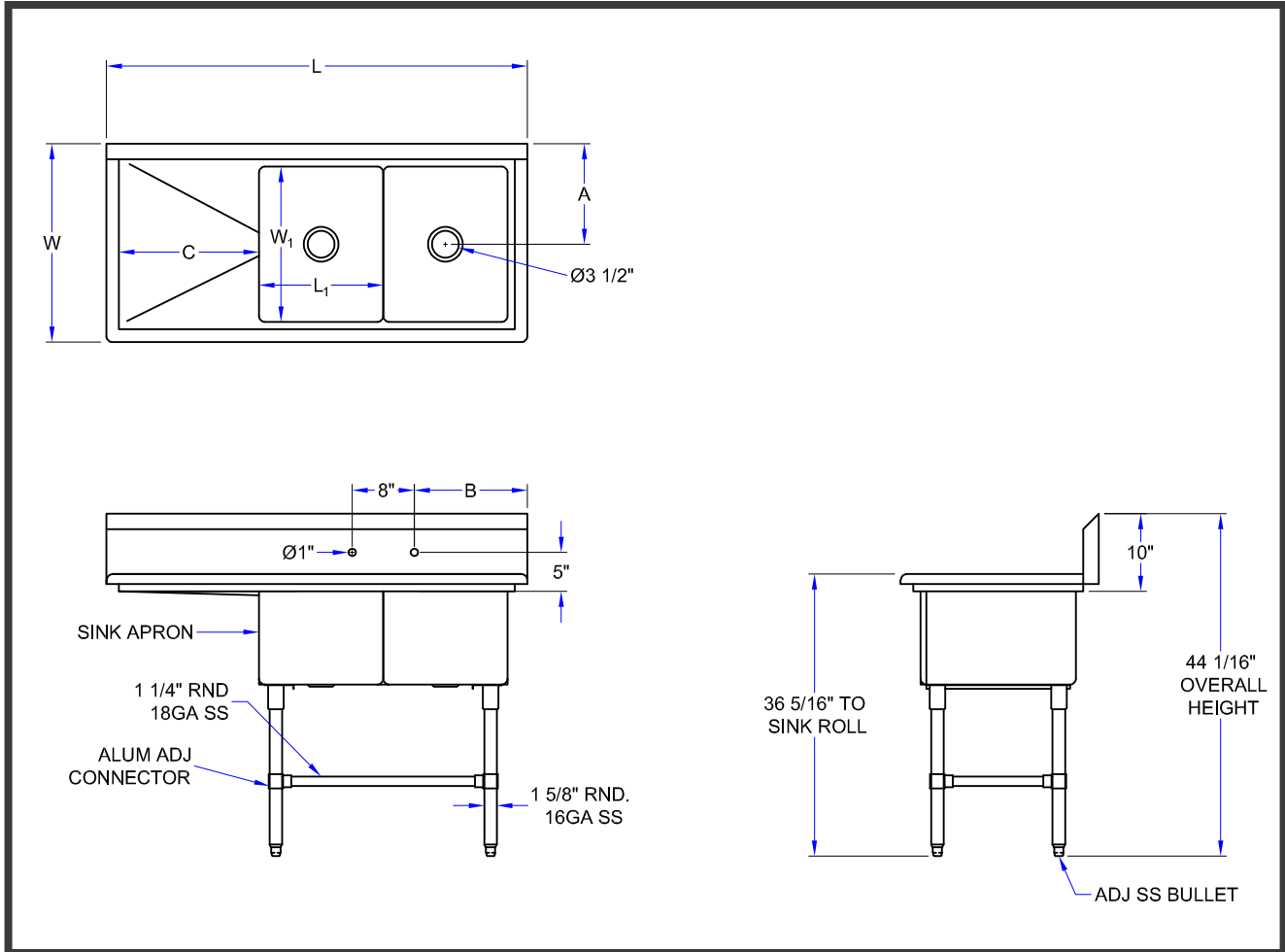
14GA - "42PB2028-1D" PRO-BOWL COMPARTMENT SINKS

| 12" DEEP | QTY | 14" DEEP | QTY |
|---------------|-----|----------------|-----|
| 42PB2028-1D20 | | 42PB20284-1D20 | |
| 42PB2028-1D24 | | 42PB20284-1D24 | |
| 42PB2028-1D30 | | 42PB20284-1D30 | |

OPTIONAL ACCESSORIES

| DESCRIPTION | QTY |
|-----------------------------|-----|
| END SPLASHES, R, L, OR BOTH | |
| FAUCETS | |
| ADD-A-FAUCETS | |
| PRE-RINSE UNITS | |
| LEVEL WASTE | |
| OVERSHELVES | |
| POT RACK | |

DETAILED SPECIFICATIONS



14GA - "42PB2028-1D" PRO-BOWL SERIES SINK

| 12" DEEP | 14" DEEP | L | W | L1 | W1 | A | B | C |
|---------------|----------------|----------|---------|-----|-----|-----------|----------|-----|
| 42PB2028-1D20 | 42PB20284-1D20 | 64-3/16" | 33-1/2" | 20" | 28" | 16-15/16" | 18-9/16" | 20" |
| 42PB2028-1D24 | 42PB20284-1D24 | 68-3/16" | 33-1/2" | 20" | 28" | 16-15/16" | 18-9/16" | 24" |
| 42PB2028-1D30 | 42PB20284-1D30 | 74-3/16" | 33-1/2" | 20" | 28" | 16-15/16" | 18-9/16" | 30" |

SOME UNITS SHIP UNASSEMBLED FOR REDUCED SHIPPING COST. ALL DIMENSIONS ARE TYPICAL. TOLERANCE +/- .500"

John Boos & Co. is constantly engaged in a program of improving products and therefore reserves the right to change specifications without prior notice.



3601 S. Banker St. • Effingham, IL 62401 • PO BOX 609 • quotes@johnboos.com

101818



www.johnboos.com

583