



**John  
BOOS**  
Since 1887

ITEM #: \_\_\_\_\_ QTY: \_\_\_\_\_  
 MODEL #: \_\_\_\_\_  
 PROJECT NAME: \_\_\_\_\_

082818

3601 S. Banker St. Effingham, IL 62401 • P.O. BOX 609 • Ph: (888) 431-2667 • Fax: (800) 433-2667

## **"42PB" PRO-BOWL COMPARTMENT SINKS 14GA**

### **2 COMPARTMENT - STAINLESS STEEL BASE**



#### **FEATURES:**

- STANDARD 14GA TYPE 300 STAINLESS STEEL WITH #4 POLISH, SATIN FINISH
- 12" & 14" DEEP BOWLS
- ALL CORNERS, BOTH VERTICAL AND HORIZONTAL, COVERED AT 5/8" RADIUS
- BOTTOMS OF BOWLS FORMED FOR DRAINAGE TO 3-1/2" DIAMETER DIE STAMPED OPENING
- FULL LENGTH **10" HIGH BOXED BACKSPLASH**, WITH 2" RETURN TO WALL AT 45 DEGREE AND 3/4" TURNED DOWN REAR LIP
- 8" ON-CENTER, 1" FAUCET HOLES IN BACKSPLASH
- SOLID STAINLESS STEEL FRONT PANEL, TYPE 300 STAINLESS STEEL WITH #4 POLISH, SATIN FINISH
- ALL OUTSIDE CORNERS OF ASSEMBLY ARE BULLNOSED TO PROVIDE SAFE, CLEAN, AND POLISHED EDGE

#### **MATERIAL:**

- BOWLS & TOP: 14GA TYPE 300 STAINLESS STEEL WITH #4 POLISH, SATIN FINISH
- LEGS: 1-5/8" ROUND O.D. STAINLESS STEEL
- BRACING: 1-1/4" ROUND O.D. STAINLESS STEEL
- GUSSETS: STAINLESS STEEL
- FEET: 1" ADJUSTABLE STAINLESS STEEL BULLET FEET



#### **CONSTRUCTION:**

- TOP: STAINLESS STEEL SINKS ARE TIG WELDED, EXPOSED WELDS ARE POLISHED TO MATCH ADJACENT SURFACE
- BASE: STAINLESS STEEL BASES, STANDARD K.D.

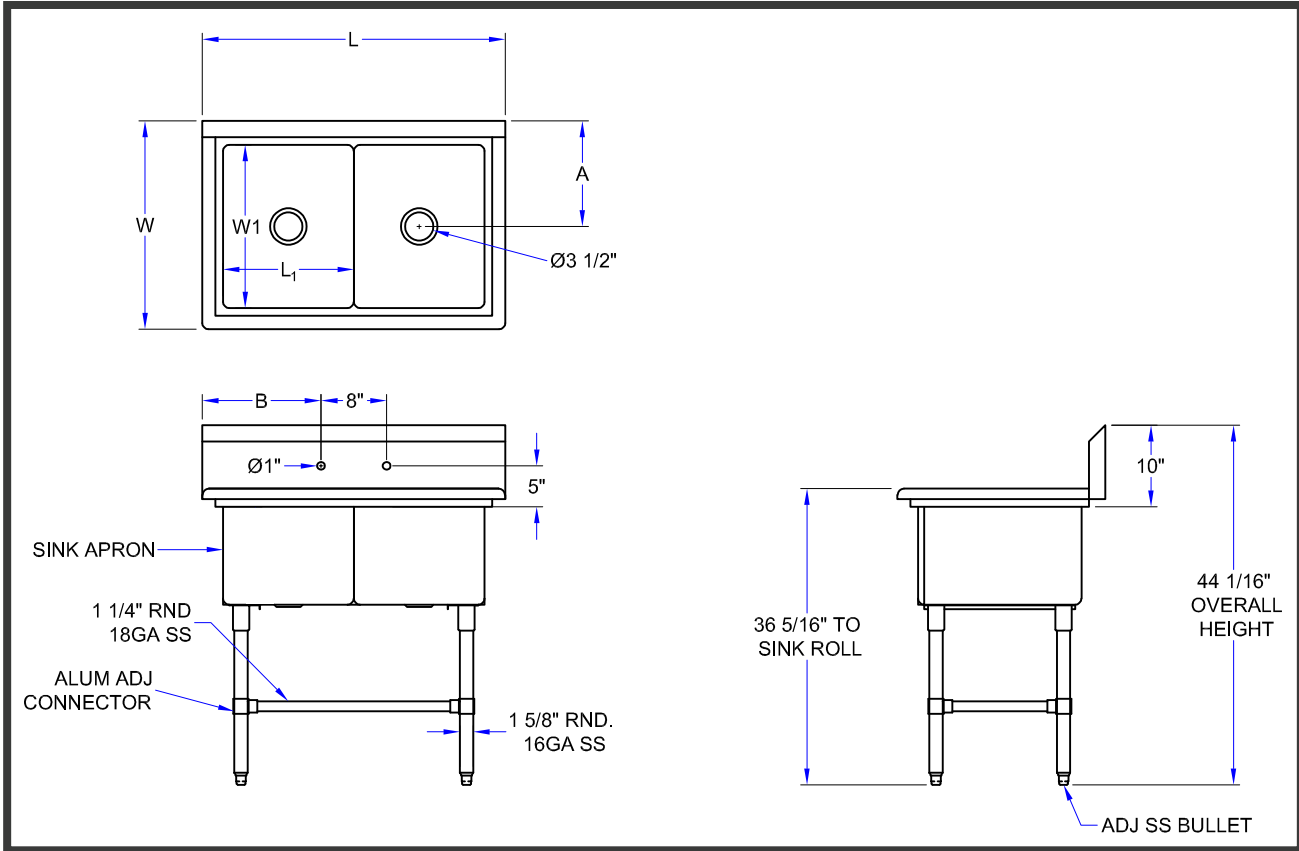
#### **14GA - "42PB" PRO-BOWL SERIES SINK**

12" DEEP	QTY	14" DEEP	QTY
42PB1618		42PB16184	
42PB1620		42PB16204	
42PB18		42PB184	
42PB1824		42PB18244	
42PB20		42PB204	
42PB24		42PB244	
42PB3024		42PB30244	

#### **OPTIONAL ACCESSORIES**

DESCRIPTION	QTY
END SPLASHES, R, L, OR BOTH	
FAUCETS	
ADD-A-FAUCETS	
PRE-RINSE UNITS	
LEVEL WASTE	
OVERSHELVES	
POT RACK	

# DETAILED SPECIFICATIONS



## 14GA - "42PB" PRO-BOWL SERIES SINK

12" DEEP	14" DEEP	L	W	L <sub>1</sub>	W <sub>1</sub>	A	B
42PB1618	42PB16184	37-1/8"	23-1/2"	16"	18"	11-15/16"	14-9/16"
42PB1620	42PB16204	37-1/8"	25-1/2"	16"	20"	12-15/16"	14-9/16"
42PB18	42PB184	41-1/8"	23-1/2"	18"	18"	11-15/16"	16-9/16"
42PB1824	42PB18244	41-1/8"	29-1/2"	18"	24"	14-15/16"	16-9/16"
42PB20	42PB204	41-1/8"	25-1/2"	20"	20"	12-15/16"	16-9/16"
42PB24	42PB244	53-1/8"	29-1/2"	24"	24"	14-15/16"	22-9/16"
42PB3024	42PB30244	65-1/8"	29-1/2"	30"	24"	14-15/16"	28-9/16"

SOME UNITS SHIP UNASSEMBLED FOR REDUCED SHIPPING COST. ALL DIMENSIONS ARE TYPICAL. TOLERANCE +/- .500"

John Boos & Co. is constantly engaged in a program of improving products and therefore reserves the right to change specifications without prior notice.



3601 S. Banker St. • Effingham, IL 62401 • PO BOX 609 • quotes@johnboos.com

082818



[www.johnboos.com](http://www.johnboos.com)

521