



**John
BOOS**
Since 1887

ITEM #: _____ QTY: _____
 MODEL #: _____
 PROJECT NAME: _____

082718

3601 S. Banker St. Effingham, IL 62401 • P.O. BOX 609 • Ph: (888) 431-2667 • Fax: (800) 433-2667

"2PB-1D" PRO-BOWL COMPARTMENT SINKS 16GA **COMPARTMENT WITH 1 DRAIN BOARD - STAINLESS STEEL BASE**



FEATURES:

- STANDARD 16GA TYPE 300 STAINLESS STEEL WITH
- #4 POLISH, SATIN FINISH
- 12" & 14" DEEP BOWLS
- ALL CORNERS, BOTH VERTICAL AND HORIZONTAL, COVERED AT 5/8" RADIUS
- BOTTOMS OF BOWLS FORMED FOR DRAINAGE TO
- 3-1/2" DIAMETER DIE STAMPED OPENING
- FULL LENGTH 10" HIGH BOXED BACKSPLASH, WITH 2" RETURN TO WALL AT 45 DEGREE AND 3/4" TURNED DOWN REAR LIP
- 8" ON-CENTER, 1" FAUCET HOLES IN BACKSPLASH
- SOLID STAINLESS STEEL FRONT PANEL, TYPE 300 STAINLESS STEEL WITH #4 POLISH, SATIN FINISH
- ALL OUTSIDE CORNERS OF ASSEMBLY ARE BULLNOSED TO PROVIDE SAFE, CLEAN, AND POLISHED EDGE

CONSTRUCTION:

- TOP: STAINLESS STEEL SINKS ARE TIG WELDED, EXPOSED WELDS ARE POLISHED TO MATCH ADJACENT SURFACE
- BASE: STAINLESS STEEL BASES, STANDARD K.D.

MATERIAL:

- BOWLS & TOP: 14GA TYPE 300 STAINLESS STEEL WITH #4 POLISH, SATIN FINISH
- LEGS: 1-5/8" ROUND O.D. STAINLESS STEEL
- BRACING: 1-1/4" ROUND O.D. STAINLESS STEEL
- GUSSETS: STAINLESS STEEL
- FEET: 1" ADJUSTABLE STAINLESS STEEL BULLET FEET

16GA - "2PB-1D" PRO-BOWL SERIES SINK

| 12" DEEP | QTY | 14" DEEP | QTY |
|--------------|-----|---------------|-----|
| 2PB1618-1D18 | | 2PB16184-1D18 | |
| 2PB1618-1D24 | | 2PB16184-1D24 | |
| 2PB1620-1D18 | | 2PB16204-1D18 | |
| 2PB1620-1D24 | | 2PB16204-1D24 | |
| 2PB18-1D18 | | 2PB184-1D18 | |
| 2PB18-1D24 | | 2PB184-1D24 | |
| 2PB18-1D30 | | 2PB184-1D30 | |
| 2PB1824-1D18 | | 2PB18244-1D18 | |
| 2PB1824-1D24 | | 2PB18244-1D24 | |
| 2PB1824-1D30 | | 2PB18244-1D30 | |
| 2PB20-1D18 | | 2PB204-1D18 | |
| 2PB20-1D24 | | 2PB204-1D24 | |
| 2PB20-1D30 | | 2PB204-1D30 | |
| 2PB24-1D24 | | 2PB244-1D24 | |
| 2PB24-1D30 | | 2PB244-1D30 | |
| 2PB3024-1D30 | | 2PB30244-1D30 | |
| 2PB3024-1D36 | | 2PB30244-1D36 | |

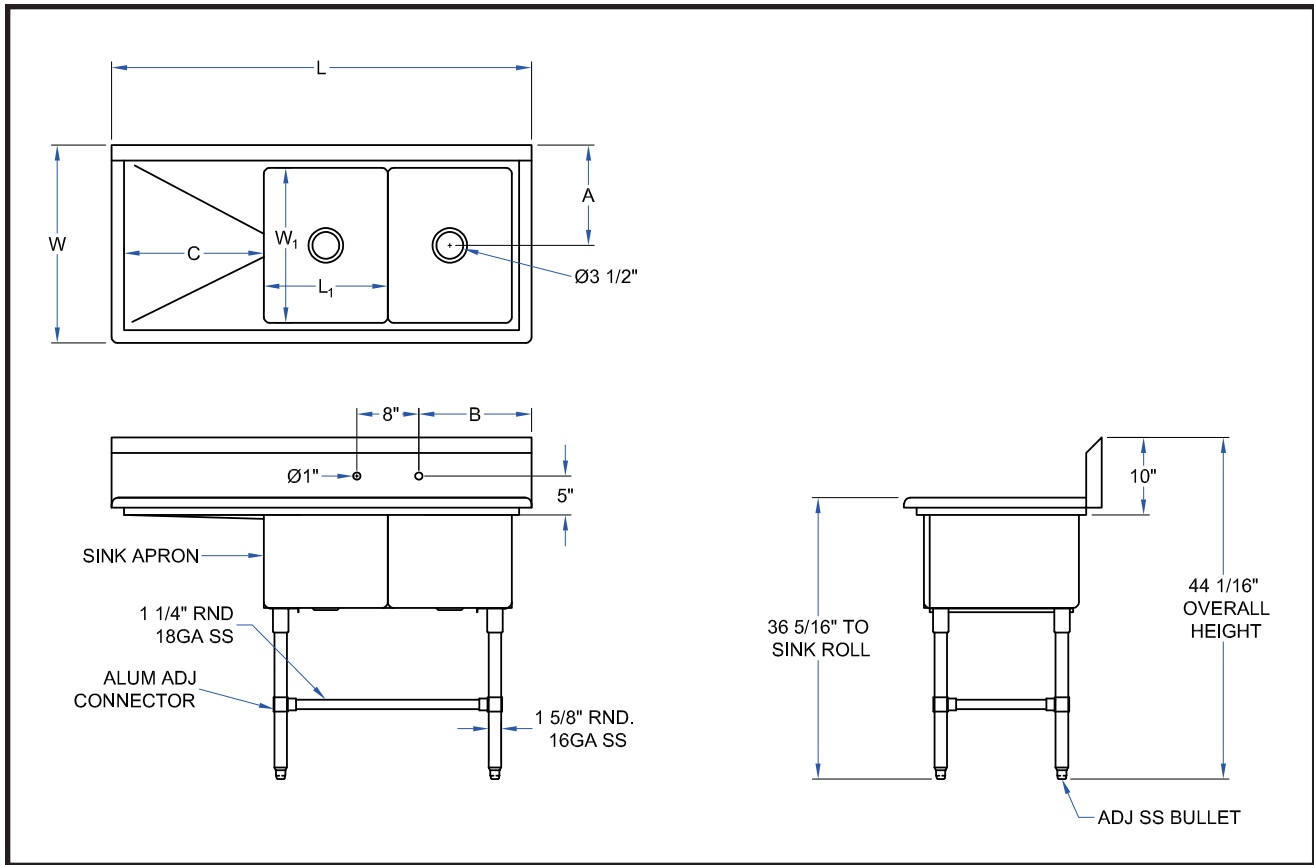


SPECIFY LEFT SIDE OR RIGHT SIDE DRAIN BOARD

OPTIONAL ACCESSORIES

| DESCRIPTION | QTY |
|-----------------------------|-----|
| END SPLASHES, R, L, OR BOTH | |
| FAUCETS | |
| ADD-A-FAUCETS | |
| PRE-RINSE UNITS | |
| LEVEL WASTE | |
| OVERSHELVES | |
| POT RACK | |

DETAILED SPECIFICATIONS



16GA - "2PB-1D" PRO-BOWL SERIES SINK

| 12" DEEP | 14" DEEP | L | W | L1 | W1 | A | B | C |
|--------------|---------------|-----------|---------|-----|-----|-----------|----------|-----|
| 2PB1618-1D18 | 2PB16184-1D18 | 54-3/16" | 23-1/2" | 16" | 18" | 11-15/16" | 14-9/16" | 18" |
| 2PB1618-1D24 | 2PB16184-1D24 | 60-3/16" | 23-1/2" | 16" | 18" | 11-15/16" | 14-9/16" | 24" |
| 2PB1620-1D18 | 2PB16204-1D18 | 54-3/16" | 25-1/2" | 16" | 20" | 12-15/16" | 14-9/16" | 18" |
| 2PB1620-1D24 | 2PB16204-1D24 | 60-3/16" | 25-1/2" | 16" | 20" | 12-15/16" | 14-9/16" | 24" |
| 2PB18-1D18 | 2PB184-1D18 | 58-3/16" | 23-1/2" | 18" | 18" | 11-15/16" | 16-9/16" | 18" |
| 2PB18-1D24 | 2PB184-1D24 | 64-3/16" | 23-1/2" | 18" | 18" | 11-15/16" | 16-9/16" | 24" |
| 2PB18-1D30 | 2PB184-1D30 | 70-3/16" | 23-1/2" | 18" | 18" | 11-15/16" | 16-9/16" | 30" |
| 2PB1824-1D18 | 2PB18244-1D18 | 58-3/16" | 29-1/2" | 18" | 24" | 14-15/16" | 16-9/16" | 18" |
| 2PB1824-1D24 | 2PB18244-1D24 | 64-3/16" | 29-1/2" | 18" | 24" | 14-15/16" | 16-9/16" | 24" |
| 2PB1824-1D30 | 2PB18244-1D30 | 70-3/16" | 29-1/2" | 18" | 24" | 14-15/16" | 16-9/16" | 30" |
| 2PB20-1D18 | 2PB204-1D18 | 62-3/16" | 25-1/2" | 20" | 20" | 12-15/16" | 18-9/16" | 18" |
| 2PB20-1D24 | 2PB204-1D24 | 68-3/16" | 25-1/2" | 20" | 20" | 12-15/16" | 18-9/16" | 24" |
| 2PB20-1D30 | 2PB204-1D30 | 74-3/16" | 25-1/2" | 20" | 20" | 12-15/16" | 18-9/16" | 30" |
| 2PB24-1D24 | 2PB244-1D24 | 76-3/16" | 29-1/2" | 24" | 24" | 14-15/16" | 22-9/16" | 24" |
| 2PB24-1D30 | 2PB244-1D30 | 82-3/16" | 29-1/2" | 24" | 24" | 14-15/16" | 22-9/16" | 30" |
| 2PB3024-1D30 | 2PB30244-1D30 | 94-3/16" | 29-1/2" | 30" | 24" | 14-15/16" | 28-9/16" | 30" |
| 2PB3024-1D36 | 2PB30244-1D36 | 100-3/16" | 29-1/2" | 30" | 24" | 14-15/16" | 28-9/16" | 36" |

SOME UNITS SHIP UNASSEMBLED FOR REDUCED SHIPPING COST. ALL DIMENSIONS ARE TYPICAL. TOLERANCE +/- .500"

John Boos & Co. is constantly engaged in a program of improving products and therefore reserves the right to change specifications without prior notice.



3601 S. Banker St. • Effingham, IL 62401 • PO BOX 609 • quotes@johnboos.com

082718



www.johnboos.com

523