



**John  
BOOS**  
Since 1887

ITEM #: \_\_\_\_\_ QTY: \_\_\_\_\_  
 MODEL #: \_\_\_\_\_  
 PROJECT NAME: \_\_\_\_\_

011719

3601 S. Banker St. Effingham, IL 62401 • P.O. BOX 609 • Ph: (888) 431-2667 • Fax: (800) 433-2667

## **"2PB2028-2D" PRO-BOWL COMPARTMENT SINKS 16GA**

### **2 COMPARTMENT WITH 2 DRAIN BOARDS - STAINLESS STEEL BASE**



#### **FEATURES:**

- STANDARD 16GA TYPE 300 STAINLESS STEEL WITH #4 POLISH, SATIN FINISH
- 12" & 14" DEEP BOWLS
- ALL CORNERS, BOTH VERTICAL AND HORIZONTAL, COVERED AT 5/8" RADIUS
- BOTTOMS OF BOWLS FORMED FOR DRAINAGE TO 3-1/2" DIAMETER DIE STAMPED OPENING
- FULL LENGTH **10" HIGH BOXED BACKSPLASH**, WITH 2" RETURN TO WALL AT 45 DEGREE AND 3/4" TURNED DOWN REAR LIP
- 8" ON-CENTER, 1" FAUCET HOLES IN BACKSPLASH
- SOLID STAINLESS STEEL FRONT PANEL, TYPE 300 STAINLESS STEEL WITH #4 POLISH, SATIN FINISH
- ALL OUTSIDE CORNERS OF ASSEMBLY ARE BULLNOSED TO PROVIDE SAFE, CLEAN, AND POLISHED EDGE

#### **MATERIAL:**

- BOWLS & TOP: 16GA TYPE 300 STAINLESS STEEL WITH #4 POLISH, SATIN FINISH
- LEGS: 1-5/8" ROUND O.D. STAINLESS STEEL
- BRACING: 1-1/4" ROUND O.D. STAINLESS STEEL
- GUSSETS: STAINLESS STEEL
- FEET: 1" ADJUSTABLE STAINLESS STEEL BULLET FEET

#### **CONSTRUCTION:**

- TOP: STAINLESS STEEL SINKS ARE TIG WELDED, EXPOSED WELDS ARE POLISHED TO MATCH ADJACENT SURFACE
- BASE: STAINLESS STEEL BASES, STANDARD K.D.



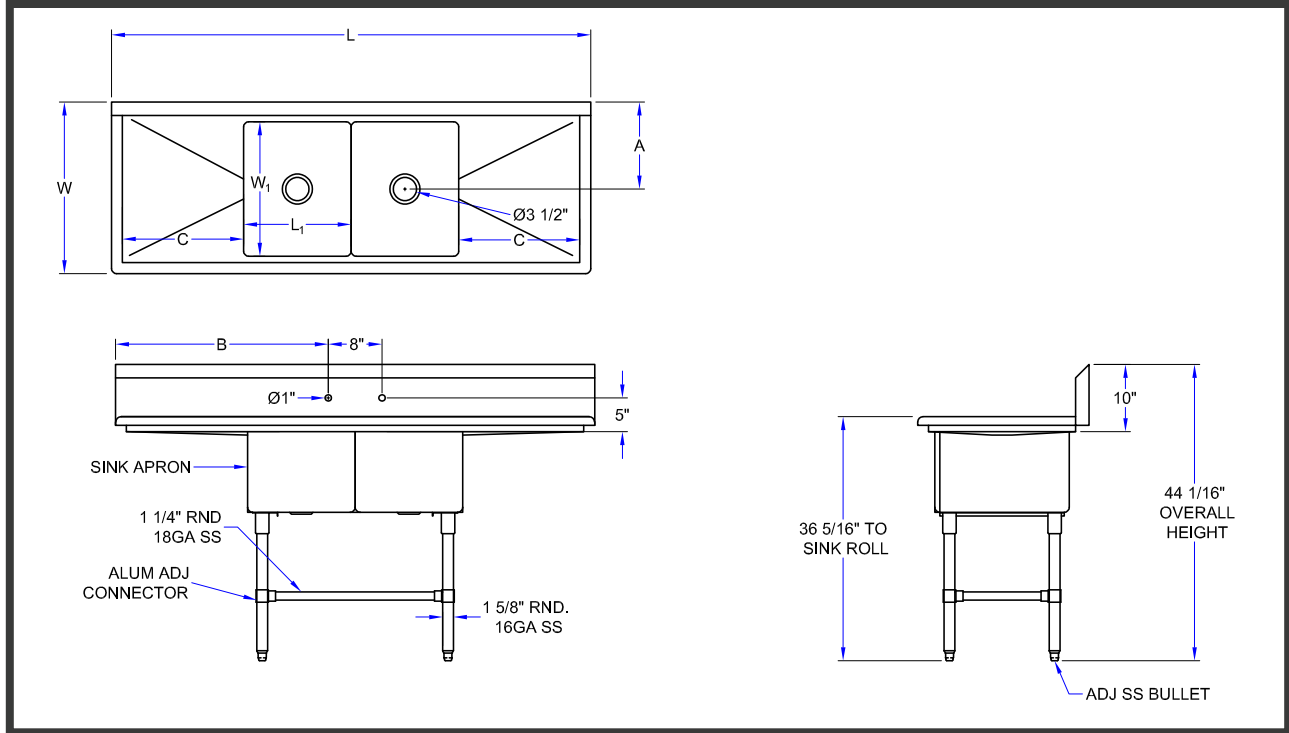
#### **16GA - "2PB2028-2D" PRO-BOWL COMPARTMENT SINKS**

12" DEEP	QTY	14" DEEP	QTY
2PB2028-2D20		2PB20284-2D20	
2PB2028-2D24		2PB20284-2D24	
2PB2028-2D30		2PB20284-2D30	

#### **OPTIONAL ACCESSORIES**

DESCRIPTION	QTY
END SPLASHES, R, L, OR BOTH	
FAUCETS	
ADD-A-FAUCETS	
PRE-RINSE UNITS	
LEVEL WASTE	
OVERSHELVES	
POT RACK	

# DETAILED SPECIFICATIONS



## 16GA - "2PB2028-2D" PRO-BOWL COMPARTMENT SINK

12" DEEP	14" DEEP	L	W	L1	W1	A	B	C
2PB2028-2D20	2PB20284-2D20	83-1/4"	33-1/2"	20"	28"	16-15/16"	37-5/8"	18
2PB2028-2D24	2PB20284-2D24	91-1/4"	33-1/2"	20"	28"	16-15/16"	41-5/8"	24
2PB2028-2D30	2PB20284-2D30	103-1/4"	33-1/2"	20"	28"	16-15/16"	47-5/8"	30

SOME UNITS SHIP UNASSEMBLED FOR REDUCED SHIPPING COST. ALL DIMENSIONS ARE TYPICAL. TOLERANCE +/- .500"  
 John Boos & Co. is constantly engaged in a program of improving products and therefore reserves the right to change specifications without prior notice.



3601 S. Banker St. • Effingham, IL 62401 • PO BOX 609 • quotes@johnboos.com

[www.johnboos.com](http://www.johnboos.com)