



**John
BOOS**
Since 1887

ITEM #: _____ QTY: _____
 MODEL #: _____
 PROJECT NAME: _____

062217

3601 S. Banker St. Effingham, IL 62401 • P.O. BOX 609 • Ph: (888) 431-2667 • Fax: (800) 433-2667

"2PB1431-1D" PRO-BOWL PLATTER SINKS 16GA



2 COMPARTMENT WITH 1 DRAIN BOARD - STAINLESS STEEL BASE

FEATURES:

- STANDARD 16GA TYPE 300 STAINLESS STEEL WITH #4 POLISH, SATIN FINISH
- 12" & 14" DEEP BOWLS
- ALL CORNERS, BOTH VERTICAL AND HORIZONTAL, COVED AT 5/8" RADIUS
- BOTTOMS OF BOWLS FORMED FOR DRAINAGE TO 3-1/2" DIAMETER DIE STAMPED OPENING
- FULL LENGTH **10" HIGH BOXED BACKSPLASH**, WITH 2" RETURN TO WALL AT 45 DEGREE AND 3/4" TURNED DOWN REAR LIP
- 8" ON-CENTER, 1-1/8" FAUCET HOLES IN BACKSPLASH
- SOLID STAINLESS STEEL FRONT PANEL, TYPE 300 STAINLESS STEEL WITH #4 POLISH, SATIN FINISH
- ALL OUTSIDE CORNERS OF ASSEMBLY ARE BULLNOSED TO PROVIDE SAFE, CLEAN, AND POLISHED EDGE

MATERIAL:

- BOWLS & TOP: 16GA TYPE 300 STAINLESS STEEL WITH #4 POLISH, SATIN FINISH
- LEGS: 1-5/8" ROUND O.D. STAINLESS STEEL
- BRACING: 1-1/4" ROUND O.D. STAINLESS STEEL
- GUSSETS: STAINLESS STEEL
- FEET: 1" ADJUSTABLE STAINLESS STEEL BULLET FEET



SPECIFY LEFT SIDE OR RIGHT SIDE DRAIN BOARD

CONSTRUCTION:

- TOP: STAINLESS STEEL SINKS ARE TIG WELDED, EXPOSED WELDS ARE POLISHED TO MATCH ADJACENT SURFACE
- BASE: STAINLESS STEEL BASES, STANDARD K.D.

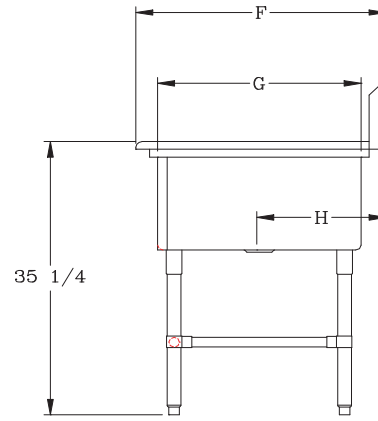
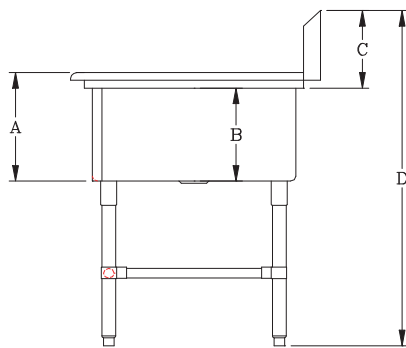
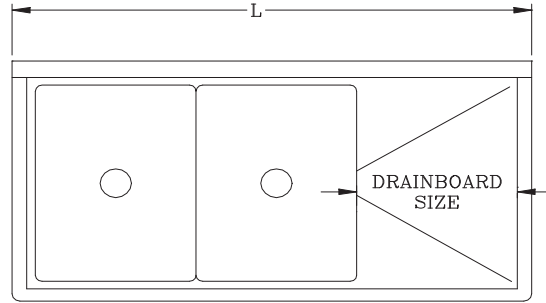
16GA - "2PB-1D" PRO-BOWL PLATTER SINKS

12" DEEP	QTY	14" DEEP	QTY
2PB1431-1D18		2PB14314-1D18	
2PB1431-1D24		2PB14314-1D24	
2PB1431-1D30		2PB14314-1D30	

OPTIONAL ACCESSORIES

DESCRIPTION	QTY
END SPLASHES, R, L, OR BOTH	
FAUCETS	
ADD-A-FAUCETS	
PRE-RINSE UNITS	
LEVEL WASTE	
OVERSHELVES	
POT RACK	

DETAILED SPECIFICATIONS



	12" DEEP	14" DEEP
A	14"	16"
B	12"	14"
C	10"	10"
D	43"	43"

BOWLS

BOWL SIZE	F	G	H
14" X 31"	36-1/2"	31"	18-7/16"

(12" DEEP) 16GA - "2PB-1D" PRO-BOWL PLATTER SINKS

MODEL	BOWL SIZE	DIMENSIONS	DB	WT. (LBS)
2PB1431-1D18	14 X 31 X 12	50-3/16" X 36-1/2"	18"	103
2PB1431-1D24	14 X 31 X 12	56-3/16" X 36-1/2"	24"	108
2PB1431-1D30	14 X 31 X 12	62-3/16" X 36-1/2"	30"	113

(14" DEEP) 16GA - "2PB-1D" PRO-BOWL PLATTER SINKS

MODEL	BOWL SIZE	DIMENSIONS	DB	WT. (LBS)
2PB14314-1D18	14 X 31 X 14	50-3/16" X 36-1/2"	18"	110
2PB14314-1D24	14 X 31 X 14	56-3/16" X 36-1/2"	24"	115
2PB14314-1D30	14 X 31 X 14	62-3/16" X 36-1/2"	30"	120

SOME UNITS SHIP UNASSEMBLED FOR REDUCED SHIPPING COST. ALL DIMENSIONS ARE TYPICAL. TOLERANCE +/- .500"
 John Boos & Co. is constantly engaged in a program of improving products and therefore reserves the right to change specifications without prior notice.



3601 S. Banker St. • Effingham, IL 62401 • PO BOX 609 • quotes@johnboos.com

062217



www.johnboos.com

487