



**John  
BOOS**  
Since 1887

ITEM #: \_\_\_\_\_ QTY: \_\_\_\_\_  
MODEL #: \_\_\_\_\_  
PROJECT NAME: \_\_\_\_\_

082718

3601 S. Banker St. Effingham, IL 62401 • P.O. BOX 609 • Ph: (888) 431-2667 • Fax: (800) 433-2667

## **"1PB-1D" PRO-BOWL COMPARTMENT SINKS 16GA**

### **1 COMPARTMENT WITH 1 DRAIN BOARD - STAINLESS STEEL BASE**



#### **FEATURES:**

- STANDARD 16GA TYPE 300 STAINLESS STEEL WITH #4 POLISH, SATIN FINISH
- 12" & 14" DEEP BOWLS
- ALL CORNERS, BOTH VERTICAL AND HORIZONTAL, COVED AT 5/8" RADIUS
- BOTTOMS OF BOWLS FORMED FOR DRAINAGE TO 3-1/2" DIAMETER DIE STAMPED OPENING
- FULL LENGTH **10" HIGH BOXED BACKSPLASH**, WITH 2" RETURN TO WALL AT 45 DEGREE AND 3/4" TURNED DOWN REAR LIP
- 8" ON-CENTER, 1" FAUCET HOLES IN BACKSPLASH
- SOLID STAINLESS STEEL FRONT PANEL, TYPE 300 STAINLESS STEEL WITH #4 POLISH, SATIN FINISH
- ALL OUTSIDE CORNERS OF ASSEMBLY ARE BULLNOSED TO PROVIDE SAFE, CLEAN, AND POLISHED EDGE

#### **CONSTRUCTION:**

- TOP: STAINLESS STEEL SINKS ARE TIG WELDED, EXPOSED WELDS ARE POLISHED TO MATCH ADJACENT SURFACE
- BASE: STAINLESS STEEL BASES, STANDARD K.D.

#### **MATERIAL:**

- BOWLS & TOP: 16GA TYPE 300 STAINLESS STEEL WITH #4 POLISH, SATIN FINISH
- LEGS: 1-5/8" ROUND O.D. STAINLESS STEEL
- BRACING: 1-1/4" ROUND O.D. STAINLESS STEEL
- GUSSETS: STAINLESS STEEL
- FEET: 1" ADJUSTABLE STAINLESS STEEL BULLET FEET



SPECIFY LEFT SIDE OR RIGHT SIDE DRAIN BOARD

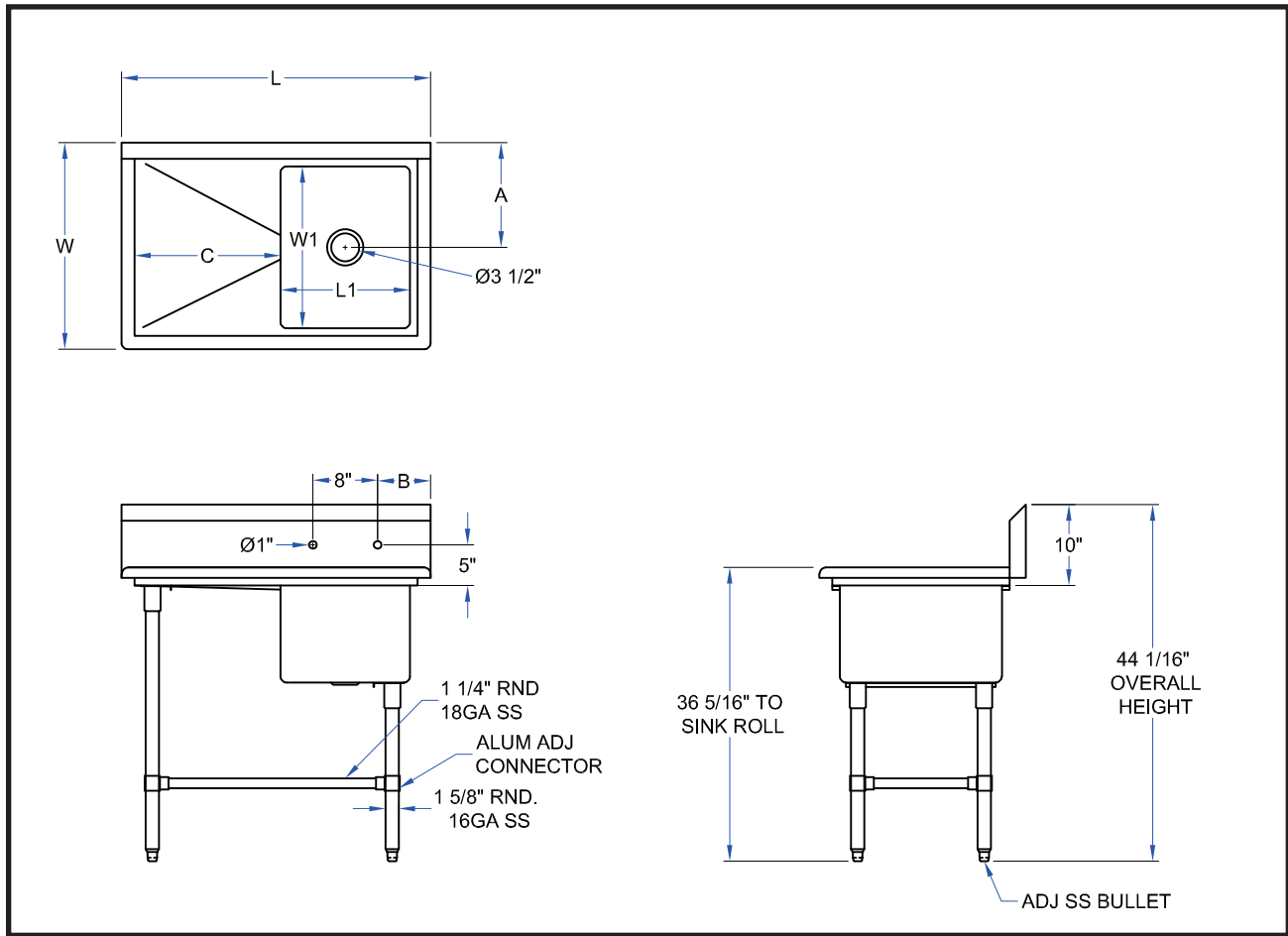
#### **16GA - "1PB-1D" PRO-BOWL SERIES SINK**

12" DEEP	QTY	14" DEEP	QTY
1PB1618-1D18		1PB16184-1D18	
1PB1618-1D24		1PB16184-1D24	
1PB1620-1D18		1PB16204-1D18	
1PB1620-1D24		1PB16204-1D24	
1PB18-1D18		1PB184-1D18	
1PB18-1D24		1PB184-1D24	
1PB18-1D30		1PB184-1D30	
1PB1824-1D18		1PB18244-1D18	
1PB1824-1D24		1PB18244-1D24	
1PB1824-1D30		1PB18244-1D30	
1PB20-1D18		1PB204-1D18	
1PB20-1D24		1PB204-1D24	
1PB20-1D30		1PB204-1D30	
1PB24-1D24		1PB244-1D24	
1PB24-1D30		1PB244-1D30	
1PB3024-1D30		1PB30244-1D30	
1PB3024-1D36		1PB30244-1D36	

#### **OPTIONAL ACCESSORIES**

DESCRIPTION	QTY
END SPLASHES, R, L, OR BOTH	
FAUCETS	
ADD-A-FAUCETS	
PRE-RINSE UNITS	
LEVEL WASTE	
OVERSHELVES	
POT RACK	

# DETAILED SPECIFICATIONS



## 16GA - "1PB-1D" PRO-BOWL SERIES SINK

12" DEEP	14" DEEP	L	W	L1	W1	A	B	C
1PB1618-1D18	1PB16184-1D18	38-3/16"	23-1/2"	16"	18"	11-15/16"	6-9/16"	18"
1PB1618-1D24	1PB16184-1D24	44-3/16"	23-1/2"	16"	18"	11-15/16"	6-9/16"	24"
1PB1620-1D18	1PB16204-1D18	38-3/16"	25-1/2"	16"	20"	12-15/16"	6-9/16"	18"
1PB1620-1D24	1PB16204-1D24	44-3/16"	25-1/2"	16"	20"	12-15/16"	6-9/16"	24"
1PB18-1D18	1PB184-1D18	40-3/16"	23-1/2"	18"	18"	11-15/16"	7-9/16"	18"
1PB18-1D24	1PB184-1D24	46-3/16"	23-1/2"	18"	18"	11-15/16"	7-9/16"	24"
1PB18-1D30	1PB184-1D30	52-3/16"	23-1/2"	18"	18"	11-15/16"	7-9/16"	30"
1PB1824-1D18	1PB18244-1D18	40-3/16"	29-1/2"	18"	24"	14-15/16"	7-9/16"	18"
1PB1824-1D24	1PB18244-1D24	46-3/16"	29-1/2"	18"	24"	14-15/16"	7-9/16"	24"
1PB1824-1D30	1PB18244-1D30	52-3/16"	29-1/2"	18"	24"	14-15/16"	7-9/16"	30"
1PB20-1D18	1PB204-1D18	42-3/16"	25-1/2"	20"	20"	12-15/16"	8-9/16"	18"
1PB20-1D24	1PB204-1D24	48-3/16"	25-1/2"	20"	20"	12-15/16"	8-9/16"	24"
1PB20-1D30	1PB204-1D30	54-3/16"	25-1/2"	20"	20"	12-15/16"	8-9/16"	30"
1PB24-1D24	1PB244-1D24	52-3/16"	29-1/2"	24"	24"	14-15/16"	10-9/16"	24"
1PB24-1D30	1PB244-1D30	58-3/16"	29-1/2"	24"	24"	14-15/16"	10-9/16"	30"
1PB3024-1D30	1PB30244-1D30	64-3/16"	29-1/2"	30"	24"	14-15/16"	13-9/16"	30"
1PB3024-1D36	1PB30244-1D36	70-3/16"	29-1/2"	30"	24"	14-15/16"	13-9/16"	36"

SOME UNITS SHIP UNASSEMBLED FOR REDUCED SHIPPING COST. ALL DIMENSIONS ARE TYPICAL. TOLERANCE +/- .500"

John Boos & Co. is constantly engaged in a program of improving products and therefore reserves the right to change specifications without prior notice.



3601 S. Banker St. • Effingham, IL 62401 • PO BOX 609 • quotes@johnboos.com

082718



www.johnboos.com

511