



ALUMINUM

KNOCK DOWN HALF SIZE PAN RACK With Removable Aluminum Top



Item #: _____ **Qty #:** _____
Model #: _____
Project #: _____

Knock Down Style

Removable Aluminum Top

3 7/8" shelf spacing*, 7 pan capacity, 5" poly stem bolted casters, 1 1/2" ribbed angles.

CONSTRUCTION:

Knock Down. Assembly Required.

Solid Aluminum Top

MATERIAL:

6063-T52 extruded aluminum angles, upright tubing, and support pieces.

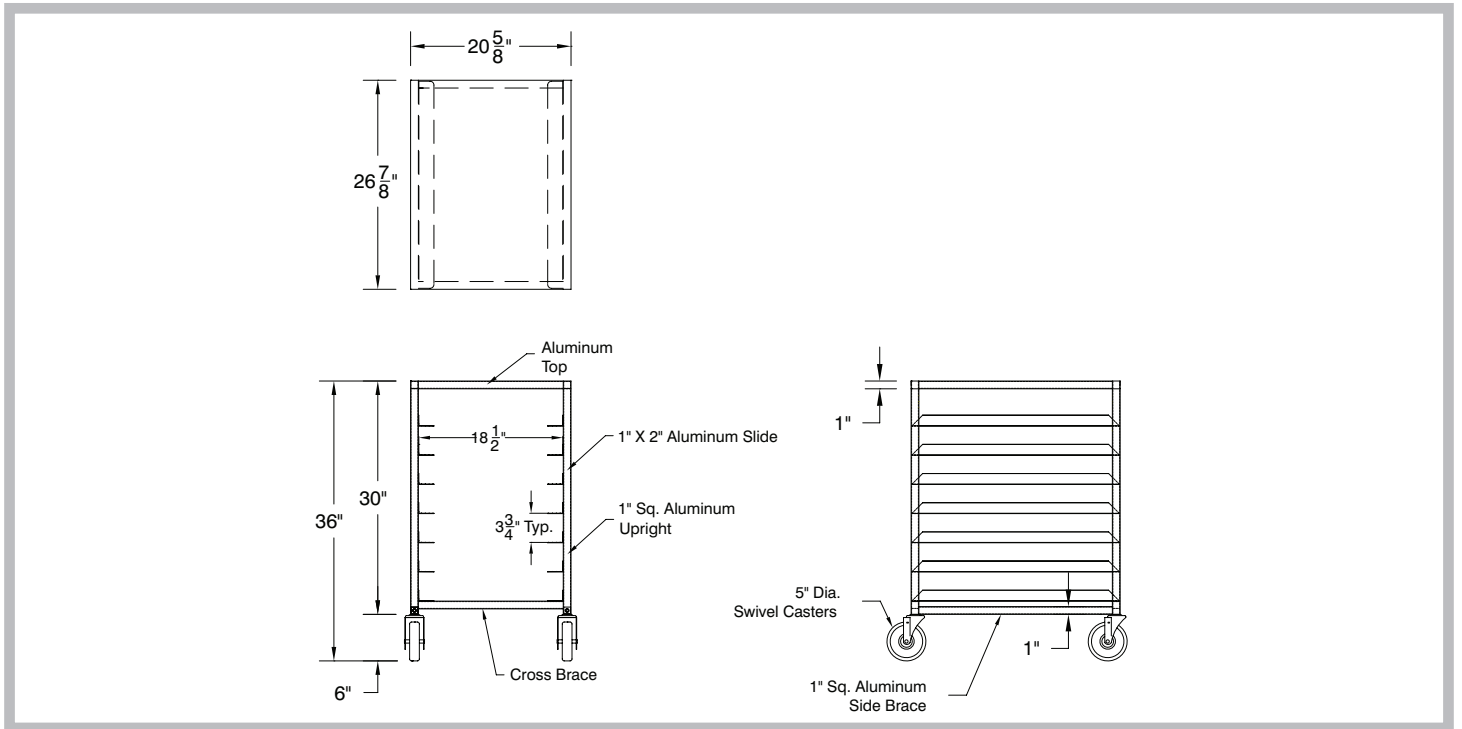
MODEL #	Pan Capacity	Shelf Spacing	Overall Size L x W x H	Wt.
PR7-4KT	7	3 7/8"*	26 7/8" x 20 5/8" x 36"	28 lbs.

*Top shelf spacing is 2-1/8"

DIMENSIONS and SPECIFICATIONS

TOL ± .500"

ALL DIMENSIONS ARE TYPICAL



Customer Service Available To Assist You **1-800-645-3166** 8:30 am - 8:00 pm E.S.T.

Email Orders To: customer@advancetabco.com. For Smart Fabrication™ Quotes, Email To: smartfab@advancetabco.com or Fax To: 631-586-2933

NEW YORK
Fax: (631) 242-6900

GEORGIA
Fax: (770) 775-5625

TEXAS
Fax: (972) 932-4795

NEVADA
Fax: (775) 972-1578