



“MAKE THIS STEEL RITE!”

Toll Free: 855-855-0399 Email: info@atosausa.com
www.atosa.com | www.atosausa.com
 California, Colorado, Florida, Georgia, Illinois,
 Massachusetts, New Jersey, Ohio, Texas, Washington

Work Tables (30 Inch Series)

Standard Features

- 18 gauge, 430 stainless steel table including the undershelf and legs
- Entire top mechanically polished to a satin finish
- Top is sound deadened
- All edges are turned down as a safety feature
- Stainless steel tubular legs and undershelf are standard features on all models
- Under shelf can be adjusted to desired height
- Adjustable bullet feet
- Ships K.D
- Easy to assemble

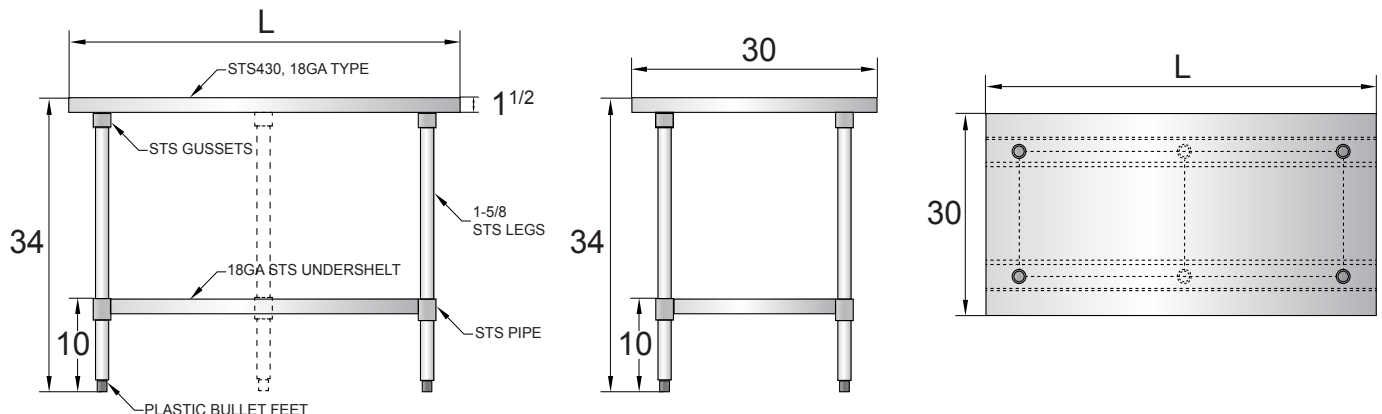
MODELS:

SSTW-3030 / SSTW-3036 / SSTW-3048
 SSTW-3060 / SSTW-3072 / SSTW-3084 / SSTW-3096



Models	Legs	Ga.	Exterior Dimensions(inch)	Packaging Dimensions(inch)	Net Weight(lbs)	Gross Weight(lbs)
SSTW-3030	4	18	30(L)×30×34	35×35×4	41	45
SSTW-3036	4	18	36(L)×30×34	32×37×4	45	51
SSTW-3048	4	18	48(L)×30×34	32×50×4	57	62
SSTW-3060	4	18	60(L)×30×34	32×62×4	67	73
SSTW-3072	4	18	72(L)×30×34	32×74×4	77	86
SSTW-3084	4	18	84(L)×30×34	32×86×4	93	103
SSTW-3096	4	18	96(L)×30×34	32×98×4	103	115

PLAN VIEW



90 DAYS WARRANTY ON WORKMANSHIP

