



**“MAKE THIS STEEL RITE!”**

Toll Free: 855-855-0399 Email: [info@atosausa.com](mailto:info@atosausa.com)  
[www.atosa.com](http://www.atosa.com) | [www.atosausa.com](http://www.atosausa.com)  
 California, Colorado, Florida, Georgia, Illinois,  
 Massachusetts, New Jersey, Ohio, Texas, Washington

# Work Tables (24 Inch Series)

## Standard Features

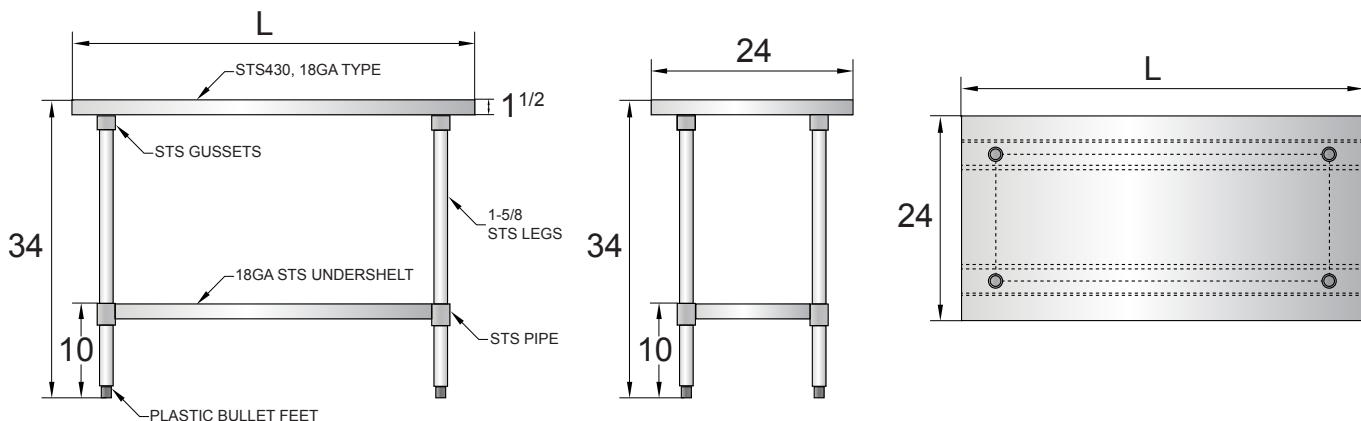
- 18 gauge, 430 stainless steel table including the undershelf and legs
- Entire top mechanically polished to a satin finish
- Top is sound deadened
- All edges are turned down as a safety feature
- Stainless steel tubular legs and undershelf are standard features on all models
- Under shelf can be adjusted to desired height
- Adjustable bullet feet
- Ships K.D
- Easy to assemble

MODELS:
SSTW-2424 / SSTW-2430 / SSTW-2436 SSTW-2448 / SSTW-2460 / SSTW-2472



Models	Legs	Ga.	Exterior Dimensions(inch)	Packaging Dimensions(inch)	Net Weight(lbs)	Gross Weight(lbs)
SSTW-2424	4	18	24(L)×24×34	29×35×4	32	34
SSTW-2430	4	18	30(L)×24×34	29×35×4	35	39
SSTW-2436	4	18	36(L)×24×34	26×37×4	40	44
SSTW-2448	4	18	48(L)×24×34	26×50×4	48	54
SSTW-2460	4	18	60(L)×24×34	26×62×4	57	63
SSTW-2472	4	18	72(L)×24×34	26×74×4	66	72

### PLAN VIEW



90 DAYS WARRANTY ON WORKMANSHIP

